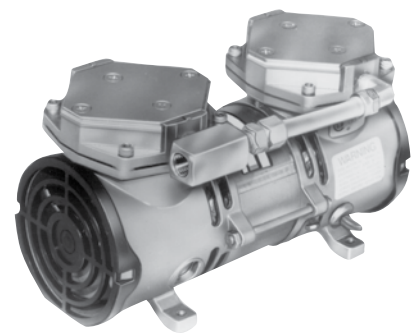
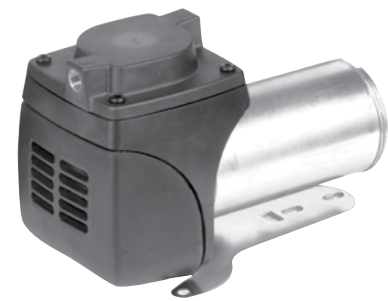
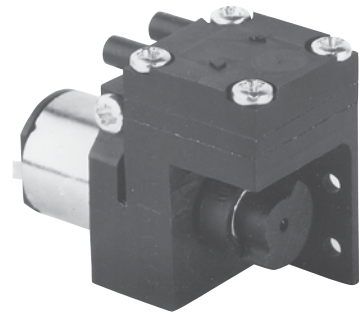


# Diaphragm Compressors and Vacuum Pumps



# The Gast Group Difference

For over 90 years, Gast Manufacturing has been providing innovative air solutions to a broad breadth of customers. With the relatively recent addition of JUN-AIR, we have expanded our capabilities and formed, “The Gast Group.” Together, our diverse engineering background and pneumatic experience allow us to provide both component and system solutions to meet all of your pneumatic needs...all backed by our strong commitment to quality and customer support.

## Products for Almost Any Application – Worldwide

We offer an extensive and versatile line of air-moving products, including vacuum pumps, compressors, air motors, gearmotors, vacuum generators, and regenerative blowers. We design and build these components for original equipment manufacturers worldwide, but we also develop complete pneumatic solutions to solve tough customer challenges.

To ensure fast, efficient delivery of products, Gast has a vast network of sales representatives/distributors throughout the United States and the world. Plus, we maintain direct sales and service facilities in Europe, Hong Kong, and Shanghai, China.

## Unparalleled Design Expertise

Unlike other manufacturers, who might expect you to modify your pneumatic system to fit their available product(s), Gast is committed to finding the right product to meet your specific needs. If we don't have a high-quality, off-the-shelf product to fit your existing application or meet your anticipated needs, we'll propose customized cost-effective design options that will serve your special requirements. We can even develop and produce your complete pneumatic system for you.

Our experienced Research and Development engineers and Product engineers work together to analyze customer needs and use computer-aided design to generate timely solutions for air-handling problems. The design team has one goal: to create problem-solving solutions that capitalize on the latest available technology, meet all application requirements, and benefit from cost-effective production methods. The end result: products and solutions that are the best value in the marketplace for our customers.

## A Lasting Commitment to Quality

We invest heavily in both equipment and people to maintain the consistent quality for which our products are known worldwide, and we have done so since day one. As early as 1983, we implemented a total quality process designed to ensure the quality of our products. In keeping with that tradition, Gast has achieved ISO 9001 certification, making us a member of the elite group of manufacturing companies in the world to receive that certification.

## European Community Directives

With extensive sales outside the United States, Gast has pledged to conform to the European Community Directives. These directives contain essential requirements concerning health, safety, environment, and consumer protection for all products targeted for the European Community market. Currently, all Gast products available for sale in the European Community are in compliance with the Machinery, Low Voltage, and Electromagnetic Compatibility Directives.

Pictorial and dimensional data is subject to change without notice. The information presented is based on technical data and test results of nominal units. It is believed to be accurate and is offered as an aid in the selection of Gast products. It is the user's responsibility to determine suitability of the product for intended use and the user assumes all risk and liability whatsoever in connection therewith. Environmental and application conditions may affect advertised life.

# Why use a Gast Compressor and Vacuum Pump?

## Worldwide Excellence in Air Technology – Dedicated to the Success of Your Pneumatic Applications

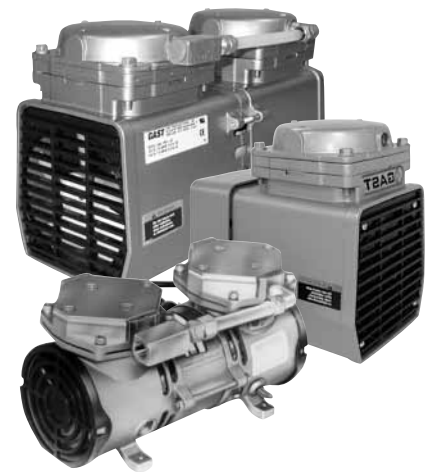
If you need a small, quiet source of vacuum or pressure, you'll find the unit for your application in the Gast line of oilless Diaphragm air compressors and vacuum pumps, which come in standard, twin, and miniature styles. Plastic component construction on the miniature pumps makes them especially compact and lightweight...ideal for light-duty applications.

Air flow capabilities for the entire line range from .65 LPM up to 3.8 CFM (6,5 m<sup>3</sup>/h), vacuum up to 29 inHg (31 mbar), and pressure up to 60 psig (4,2 bar). Electric motors are available in dual frequency, shaded pole, and permanent split capacitor (psc) versions as well as AC multi voltages for worldwide applications, plus 4-24 volt DC options on the miniature styles. Horsepowers range from 1/16 to 1/2 HP (0,05 to 0,37 kW) on the standard size models.

Tank models for the DOA series and a full line of recommended accessories are also available.



- AC and DC models
- Low noise, low vibration
- Compact, lightweight
- Oilless
- Long life
- Corrosion resistant
- Low power consumption



# Reciprocating Diaphragm Vacuum Pump and Compressors

## Here's why you can count on 60 psi (4,2 bar), 29 inHg (31 mbar)

Our connecting rod is bonded to its bearing - not clamped as in lighter duty pumps. In all pumps except our Miniatures we use larger bearings. So with a Gast unit, you get greater strength and durability where work loads are greatest.

## Easy maintenance

When you need to change air filters, it's just a 60-second screw-driver job to get inside.

Putting the head assembly back together is no problem either. The fasteners are made in non-symmetrical patterns. So the only way the head goes together is the right way.

## Cooler air output

Even at maximum duty, output air is cool and oil-free. As ambient air enters and leaves the head, it never goes near the motor to pick up heat and foreign matter. Cooler temperatures add to overall efficiency and service life.

## Variety of electric motors

Gast diaphragm pumps are available in a wide range of popular voltages and frequencies. Motor types range from economical shaded pole to more efficient permanent split capacitor (PSC) which can also provide improved starting characteristics for certain applications. Two and four pole motors are also available.

Model Number	Motor Voltage & HP	Motor Type	RPM		CFM @ 0 psi		m <sup>3</sup> /h @ 0 bar		Maximum Pressure		Maximum Vacuum		kW	Page Number
			60 Hz	50 Hz	60 Hz	50 Hz	60 Hz	50 Hz	psi	bar	inhg	mbar		
MOA-P101-AA	1/16, 115-60-1	Shaded pole	1575	-----	0.51	-----	0,85	-----	50	3,5	-----	-----	0,05	20
MOA-P101-CA	1/16, 115-60-1	Shaded pole	1575	-----	0.52	0.40	0,86	0,67	50	3,5			0,05	20
MOA-P101-CD	1/16, 220/230-50/60-1	Shaded pole	1575	1275	0.51	0.40	0,85	0,68	50	3,5			0,05	20
MOA-P101-JH	1/16, 12 Volt	DC		1800	0.56	0.95	30	3,5					0,05	20
MOA-P101-KH	1/8, 12 Volt	DC		3000	0.80	1.36	50	3,5					0,09	20
MOA-P101-JK	1/16, 24 Volt	DC		1800	0.56	0.95	50	3,5					0,05	20
MOA-P108-FB	1/8, 110/115-50/60-1	PSC (2 pole)	3000	2500	0.80	0.65	1,40	1,10	50	3,5			0,09	20
MOA-P108-FD	1/8, 220/230-50/60-1	PSC (2 pole)	3000	2500	0.80	0.65	1,40	1,10	50	3,5			0,09	20
MOA-P108-HB	1/16, 110/115-50/60-1	PSC (4 pole)	1575	1275	0.52	0.40	0,86	0,67	50	3,5			0,05	20
MOA-P108-HD	1/16, 230/220-60/50-1	PSC	1575	1275	0.52	0.40	0,86	0,67	50	3,5			0,05	20
MOA-P109-AA	1/16, 115-60-1	Shaded pole			0.52	0.40	0,86	0,67	50	3,5			0,05	20
MOA-P109-CA	1/16, 115-60-1	Shaded pole	1575	-----	0.52	0.40	0,86	0,67	50	3,5			0,05	20
MOA-V111-JH	1/16, 12 Volt	DC		1800	0.56	0.95			24.0	812,64			0,05	20
MOA-V111-KH	1/8, 12 Volt	DC		3000	0.80	1.36			24.0	812,64			0,09	20
MOA-V111-JK	1/16, 24 Volt	DC		1800	0.56	0.95			24.0	812,64			0,05	20
MOA-V111-CD	1/16, 220/230-50/60-1	Shaded pole	1575	1275	0.49	0.40	0,83	0,68			24.0	812,64	0,05	20
MOA-V112-AE	1/16, 110/115-50/60-1	Shaded pole	1575	1275	0.49	0.40	0,83	0,68			24.0	812,64	0,05	20
MOA-V112-FB	1/8, 110/115-50/60-1	PSC (2 pole)	3000	2500	0.72	0.60	1,22	1,02			24.0	812,64	0,09	20
MOA-V112-FD	1/8, 220/230-50/60-1	PSC (2 pole)	3000	2500	0.72	0.60	1,22	1,02			24.0	812,64	0,09	20
MOA-V113-AE	1/16, 110/115-50/60-1	Shaded pole	1575	1275	0.49	0.40	0,83	0,68			24.0	812,64	0,05	20
MAA-P102-HB	1/16, 115/110-60/50-1	PSC (4 pole)	1575	1275	1.02	0.90	1,73	1,53	50	3,5			0,05	22
MAA-P102-HD	1/16, 220/230-50/60-1	PSC (4 pole)	1575	1275	1.02	0.90	1,73	1,53	50	3,5			0,05	22
MAA-P102-MB	1/8, 115/110-60/50-1	PSC (2 pole)	3000	2500	1.60	1.40	2,72	2,38	50	3,5			0,09	22
MAA-V103-HB	1/16, 115/110-60/50-1	PSC (4 pole)	1575	1275	1.02	0.85	1,73	1,45			24.0	812,64	0,05	22
MAA-V103-MB	1/8, 115/110-60/50-1	PSC (2 pole)	3000	2500	1.70	1.60	2,89	2,72			24.0	812,64	0,09	22
MAA-V109-HB	1/16, 115/110-60/50-1	PSC (4 pole)	1575	1275	0.47	0.39	0,80	0,66			28.0	948,08	0,05	22
MAA-V109-HD	1/16, 220/230-60/50-1	PSC (4 pole)	1575	1275	0.47	0.39	0,80	0,66			28.0	948,08	0,05	22
MAA-V109-MB	1/8, 115/110-60/50-1	PSC (2 pole)	3000	2500	0.80	0.66	1,36	1,12			28.5	965,01	0,09	22
MAA-V109-MD	1/8, 208-230/220-240-60/50-1	PSC (2 pole)	3000	2500	0.80	0.66	1,36	1,12			28.5	965,01	0,09	22

Model Number	Motor Voltage & HP	Motor Type	RPM		CFM @ 0 psi		m <sup>3</sup> /h@ 0 bar		Maximum Pressure		Maximum Vacuum		kW	Page Number		
			60 Hz	50 Hz	60 Hz	50 Hz	60 Hz	50 Hz	psi	bar	inHg	mbar				
DOA-P701-AA	1/8, 115-60-1	Shaded pole	1575	-----	1.10	-----	1,87	-----	60	4,2			0,09	24		
DOA-P704-AA	1/8, 115-60-1	Shaded pole	1575	-----	1.10	-----	1,87	-----	60	4,2			0,09	28		
DOA-P504-BN	1/8, 220/240-50-1	Shaded pole	-----	1275	-----	1.10	-----	1,87	60	4,2			0,09	28		
DOA-P703-AA	1/8, 115-60-1	Shaded pole	1575	-----	1.10	-----	1,87	-----	60	4,2			0,09	24		
DOA-P701-AC	1/8, 230-60-1	Shaded pole	1575	-----	1.10	-----	1,87	-----	60	4,2			0,09	24		
DOA-P501-BN	1/8, 220/240-50-1	Shaded pole	-----	1275	-----	0.90	-----	1,53	60	4,2			0,09	24		
DOA-P509-BN	1/8, 220/240-50-1	Shaded pole	-----	1275	-----	0.90	-----	1,53	60	4,2			0,09	24		
DOA-P501-DB	1/8, 115/110-60/50-1	PSC (4 pole)	1575	1275	1.10	0.90	1,87	1,53	60	4,2			0,09	24		
DOA-P501-DD	1/8, 230/220-60/50-1	PSC (4 pole)	1575	1275	1.10	0.90	1,87	1,53	60	4,2			0,09	24		
DOA-P501-FB	1/3, 115/110-60/50-1	PSC (2 pole)	3000	2500	1.90	1.55	3,23	2,63	60	4,2			0,25	24		
DOA-P703-FB	1/3, 115/110-60/50-1	PSC (2 pole)	3000	2500	1.90	1.55	3,23	2,63	60	4,2			0,25	24		
DOA-P501-FD	1/3, 220/230-60/50-1	PSC (2 pole)	3000	2500	1.90	1.55	3,23	2,63	60	4,2			0,25	24		
DOA-P518-FD	1/3, 220/230-60/50-1	PSC (2 pole)	3000	2500	1.90	1.55	3,23	2,63	60	4,2			0,25	24		
DOA-P501-JH	1/8, 12 Volt	DC		2100	1.10	1,87	60	4,2					0,09	24		
DOA-P501-KH	1/6, 12 Volt	DC		3200	1.90	3,23	60	4,2					0,12	24		
DOA-P501-JK	1/8, 24 Volt	DC		2100	1.10	1,87	60	4,2					0,09	24		
DOA-V722-AA	1/8, 115-60-1	Shaded pole	1575	-----	1.10	-----	1,87	-----			25.5	863,43	0,09	24		
DOA-V702-AC	1/8, 230-60-1	Shaded pole	1575	-----	1.10	-----	1,87	-----			25.5	863,43	0,09	24		
DOA-V502-BN	1/8, 220/240-50-1	Shaded pole	-----	1275	-----	0.95	-----	1,62			25.5	863,43	0,09	24		
DOA-V502-DB	1/8, 115/110-60/50-1	PSC (4 pole)	1575	1275	1.10	0.95	1,87	1,62			25.5	863,43	0,09	24		
DOA-V502-DD	1/8, 230/220-60/50-1	PSC (4 pole)	1575	1275	1.10	0.95	1,87	1,62			25.5	863,43	0,09	24		
DOA-V502A-FB	1/3, 110/115-60/50-1	PSC (2 pole)	3000	2500	1.80	1.50	3,06	2,55			25.5	863,43	0,25	24		
DOA-V502A-FD	1/3, 220/230-60/50-1	PSC (2 pole)	3000	2500	1.80	1.50	3,96	2,55			25.5	863,43	0,25	24		
DOA-V502-JH	1/8, 12 Volt	DC		2100		1.26		2,14			25.5	863,43	0,09	24		
DOA-V502-JK	1/8, 24 Volt	DC		2100		1.26		2,14			25.5	863,43	0,09	24		
DOL-701-AA	1/8, 115-60-1	Shaded pole	1575	-----	1.10	-----	2,14	-----	60	4,2			25.5	863,43	0,09	32
DOA-V505-BN	220/240-50-1	Shaded pole		1275	-----	0.95	-----	1,62			25,0	846,50	0,09	30		
DOA-P701-DB	110/115-60/50-1	PSC motor	1575	1275	1.10	0.90	1,87	1,53	60	4,2	25.5	863,43	0,09	30		
DAA-P501-EB	1/4, 110/115-60/50-1	PSC (4 pole)	1575	1275	2.40	1.90	4,08	3,23	60	4,2			0,19	26		
DAA-P501-ED	1/4, 220/230-60/50-1	PSC (4 pole)	1575	1275	2.40	1.90	4,08	3,23	60	4,2			0,19	26		
DAA-P517-ED	1/4, 220/230-60/50-1	PSC (4 pole)	1575	1275	2.40	1.90	4,08	3,23	60	4,2			0,19	26		
DAA-P513-EG	1/4, 240-50-1	PSC 4 pole	-----	1275	-----	1.90	-----	3,23	60	4,2			0,19	26		
DAA-P501-GB	1/2, 110/115-50/60-1	PSC 2 pole	3000	2500	3.80	3.25	6,46	5,52	60	4,2			0,37	26		
DAA-P503-GB	1/2, 110/115-50/60-1	PSC 2 pole	3000	2500	3.80	3.25	6,46	5,52	60	4,2			0,37	26		
DAA-P501-GD	1/2, 220/230-50/60-1	PSC (2 pole)	3000	2500	3.80	3.25	6,46	5,52	60	4,2			0,37	26		
DAA-P503-GD	1/2, 220/230-50/60-1	PSC (2 pole)	3000	2500	3.80	3.25	6,46	5,52	60	4,2			0,37	26		
DAA-P512-GD	1/2, 220/230-50/60-1	PSC (2 pole)	3000	2500	3.80	3.25	6,46	5,52	60	4,2			0,37	26		
DAA-V505-EB	1/4, 110/115-50/60-1	PSC (4 pole)	1575	1275	2.20	1.80	3,74	3,06			25.5	863,43	0,19	26		
DAA-V502-EB	1/4, 110/115-50/60-1	PSC (4 pole)	1575	1275	1.16	0.85	1,97	1,45			29.0	981,94	0,19	26		
DAA-V505-ED	1/4, 220/230-50/60-1	PSC (4 pole)	1575	1275	2.20	1.80	3,74	3,06			25.5	863,43	0,19	26		
DAA-V502-ED	1/4, 220/230-50/60-1	PSC (4 pole)	1575	1275	1.16	0.85	1,97	1,45			29.0	981,94	0,19	26		
DAA-V510-EG	1/4, 240-50-1	PSC (4 pole)	-----	1275	-----	0.85	-----	1,45			29.0	981,94	0,19	26		
DAA-V505-GB	1/2, 110/115-50/60-1	PSC (2 pole)	3000	2500	3.60	3.00	6,12	5,10			25.5	863,43	0,37	26		
DAA-V507-GB	1/2, 110/115-50/60-1	PSC (2 pole)	3000	2500	1.95	1.40	3,32	2,38			29.0	981,94	0,37	26		
DAA-V505-GD	1/2, 220/230-50/60-1	PSC (2 pole)	3000	2500	3.60	3.00	6,12	5,10			25.5	863,43	0,37	26		
DAA-V507-GD	1/2, 220/230-50/60-1	PSC (2 pole)	3000	2500	1.95	1.40	3,32	2,38			29.0	981,94	0,37	26		

CSA approved by Canadian Standards Association  
 cUR - UL recognized for use in Canada  
 CE conforms to European Standards  
 UL UR recognized

# Diaphragm Miniature Pump Performance Overview

Model/ SERIES	POWER RATING 60 Hz		FREE AIR FLOW	MAXIMUM PRESSURE		MAXIMUM VACUUM	
	hp	kW	LPM	psi	bar	inHg	mbar
<b>MINIATURE DIAPHRAGM MODELS</b>							
2D (DC)	-	-	.65	5.5	0,38	11	641
3D (DC)	-	-	1.18	7.1	0,49	11.3	631
5D (DC)	-	-	1.5	11	0,76	13	573
10D (AC)	-	-	3.8	15	1,0	15	505
10D (DC)	-	-	4.3	15	1,0	14	526
15D (AC)	-	-	7.0	24	1,9	20	335
15D (DC)	-	-	7.0	20	2,0	20	335
15D (DC) Twin	-	-	6-13	25	1,9	25	99
22D (AC)	1/20	0,04	26.3	25	1,7	23	234
22D (DC)	1/8	0,09	36.8	25	1,7	22.5	251

## Catalog Performance Specifications

The specifications listed are that of a unit at sea level with an ambient temperature of 70 °F (21 °C), operating with normal electrical current conditions. The figures stated in this catalog are nominal approximations for models without accessories. Intake filters and exhaust mufflers, and the accumulation of contaminants in them during operation, will decrease the flow of air as well as the achievable pressure.

The units that we list in this catalog are a small portion of what we actually make. Those listed are considered “standard units” and are normally available from stock in small quantities. Variations are produced for many customers and by informing us of the application specifications we might find an existing unit that fits your requirement. If we don’t and the quantity is sufficient, we will design a “special unit” for the application.

Pictorial and dimensional data is subject to change without notice.

The information presented in this catalog is based on technical data and test results of nominal units. It is believed to be accurate and is offered as an aid in the selection of Gast products. It is the user’s responsibility to determine suitability of the product for intended use and the user assumes all risk and liability whatsoever in connection therewith.



# Typical Applications



## Medical Applications

- Air and gas analysis
- Blood pressure monitors
- Respiration monitors
- Portable aspirators
- Breast pumps
- Body fluid analysis
- Sterilizers
- Ambulance/emergency vehicles
- Portable dental equipment
- Aspirators/suction units
- Sterilizers/autoclaves



## Agriculture Applications

- Agricultural foam markers
- Crop sprayers
- Pest control equipment



## Other Applications

- Vacuum pick-and-place for electronic industry
- Portable dosimeters
- Air brushes
- Oil atomizers
- Tape drives
- Ink-jet printers
- Package labeling equipment
- Lab equipment
- Air and water sampling
- Water purification systems
- Pond aeration
- Automotive emissions testing
- Food processing
- Graphic arts equipment





### Ironless Core Motor (DC)

5.5 psi max. pressure, 11 inHg max. vacuum  
0.55 LPM open flow

### Iron core motor (DC)

5 psi max. pressure, 11 inHg max. vacuum  
0.65 LPM open flow

### PRODUCT FEATURES

- Can be used as compressor or vacuum pump (same model)
- Can be mounted in any plane
- Custom mounting configurations available
- Head mounts in any of four positions
- Consult factory for voltage options
- Stroke options available

### MATERIALS OF CONSTRUCTION

- EPDM (Ethylene Propylene Diene Monomer) valve and diaphragm
- Chemically resistant PPS (Polyphenylene Sulfide) for all other wetted components

### Product Specifications

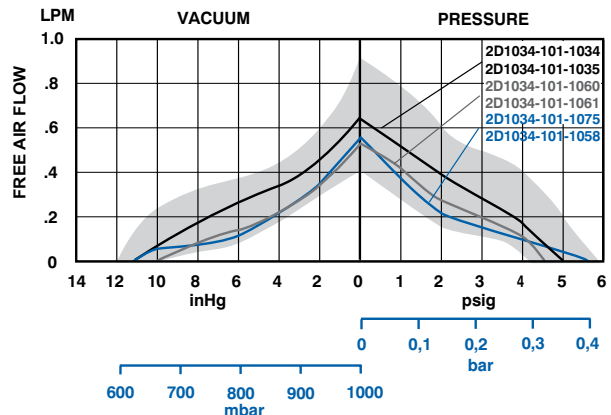
Model Number	Milliamps at Nominal Voltage	Potential Operating Voltage Range	Net Weight	
			oz	g
2D1034-101-1060*	30-70	4.5V DC	.56	16
2D1034-101-1061*	25-45	6V DC	.56	16
2D1034-101-1075*	30-80	6V DC	.56	16
2D1034-101-1058*	20-50	7.5 DC	.56	16
2D1034-101-1034**	70-110	6V DC	.56	16
2D1034-101-1035**	45-100	12V DC	.56	16

\* Ironless core motor

\*\* Iron core motor

### Product Performance

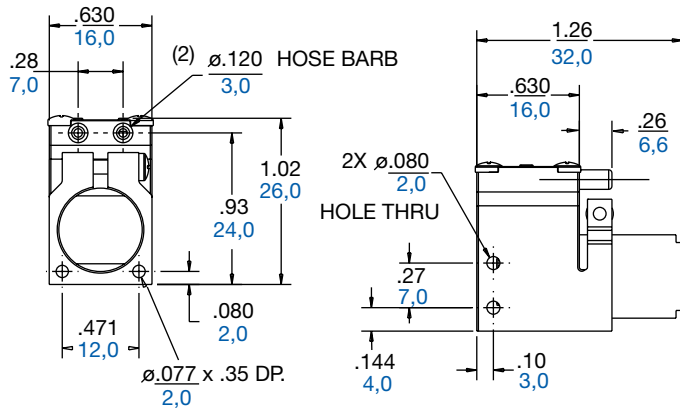
Note: The 2D performance is based on test results of nominal units. Solid lines show standard performance of models in the chart. Shaded area represents capabilities when models are customized for specific requirements. Please consult factory for customized models.



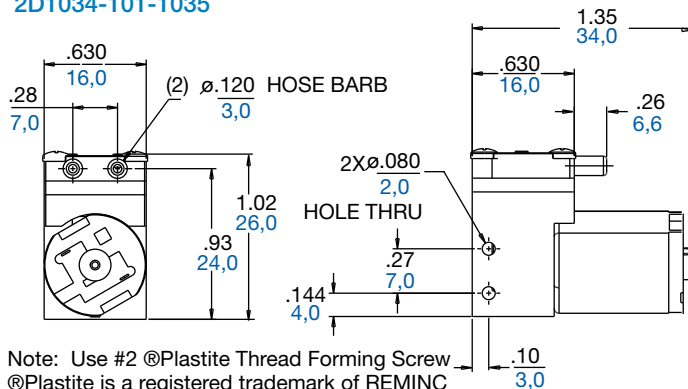
### Product Dimensions (inches, mm)

Reference only

2D1034-101-1060  
2D1034-101-1061

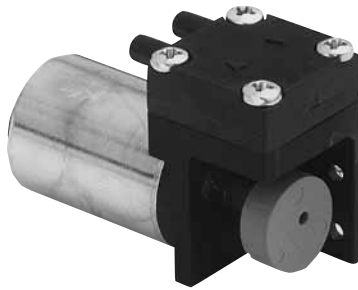


2D1034-101-1075  
2D1034-101-1058  
2D1034-101-1034  
2D1034-101-1035



Note: Use #2 @Plastite Thread Forming Screw  
@Plastite is a registered trademark of REMINC  
(RESEACH ENGINEERING & MANUFACTURING INC.)





### Ironless Core Motor (DC)

7.1 psi max. pressure, 11.2 inHg max. vacuum  
.91" LPM open flow

### Iron Core Motor (DC)

6.5 psi max. pressure, 11.3 inHg max. vacuum  
1.18 LPM open flow

### PRODUCT FEATURES

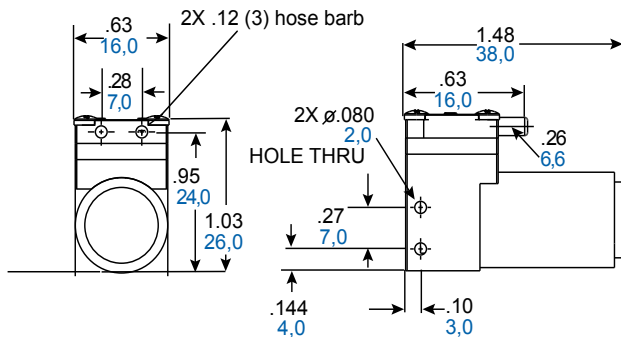
- Can be used as compressor or vacuum pump (same model)
- Can be mounted in any plane
- Custom mounting configurations available
- Head mounts in any of four positions
- Consult factory for voltage options
- Stroke options available

### MATERIALS OF CONSTRUCTION

- EPDM (Ethylene Propylene Diene Monomer) valve and diaphragm
- Chemically resistant PPS (Polyphenylene Sulfide) for all other wetted components

### Product Dimensions (inches, mm)

Reference only



Note: Use #2 @Plastite Thread Forming Screw  
 ©Plastite is a registered trademark of REMINC  
 (RESEACH ENGINEERING & MANUFACTURING INC.)

### Product Specifications

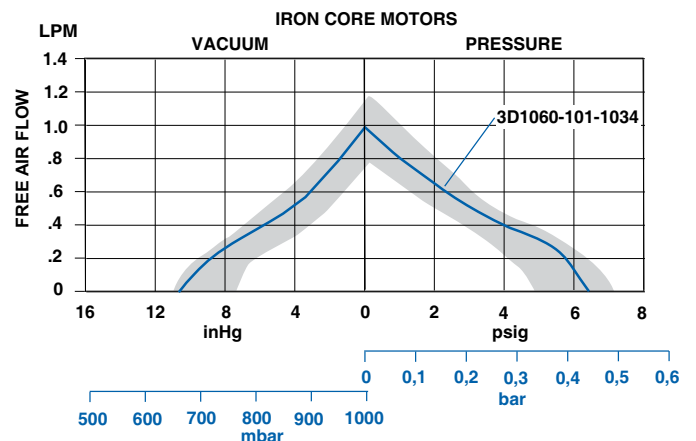
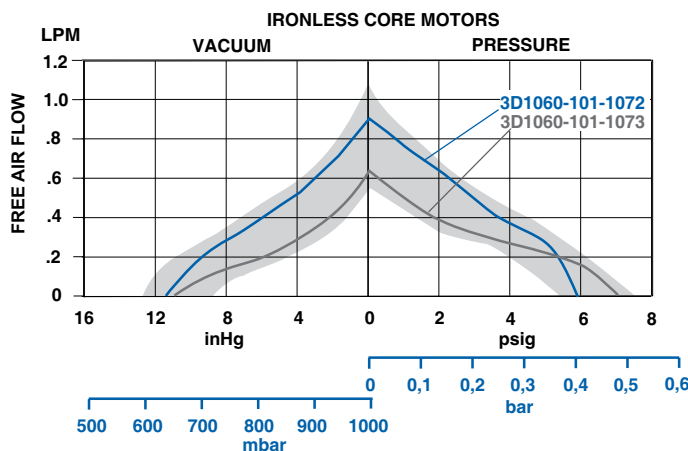
Model Number	Milliamps at Nominal Voltage	Potential Operating Voltage Range	Net Weight	
			oz	g
3D1060-101-1072*	30-60	6V DC	.56	16
3D1060-101-1073*	15-40	12V DC	.56	16
3D1060-101-1034**	90-130	6V DC	.56	16

\* Ironless core motor

\*\* Iron core motor

### Product Performance

Note: The 3D performance is based on test results of nominal units. Solid lines show standard performance of models in the chart. Shaded area represents capabilities when models are customized for specific requirements. Please consult factory for customized models.





Single head model pictured.  
Also available in twin head style.

### Ironless Core Motor (DC) Single Head

11 psi max. pressure, 13 inHg max. vacuum,  
.95 LPM open flow

### Iron Core Motor (DC) Single Head

8.5 psi max. pressure, 11 inHg max. vacuum,  
1.5 LPM open flow

### Ironless Core Motor (DC) Twin Head

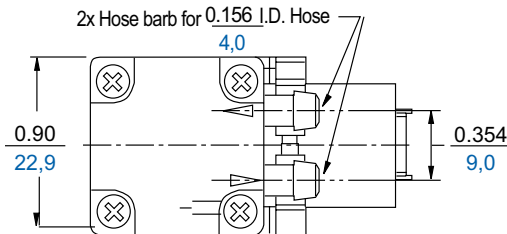
5 psi max. pressure, 16/22 inHg max. vacuum\*,  
1.6/2.6 LPM open flow\*

### Product Dimensions (inches, mm)

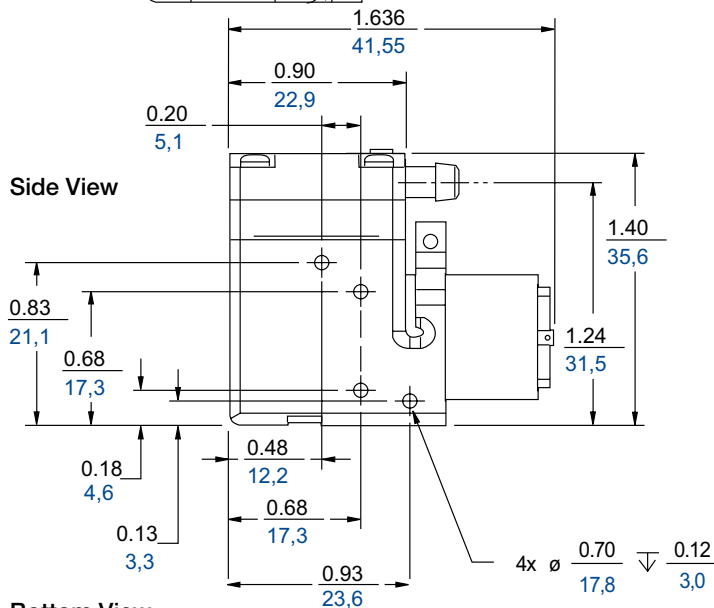
Reference only

Single Head 5D1060-101-1030  
5D1060-101-1073  
5D1060-102-1034

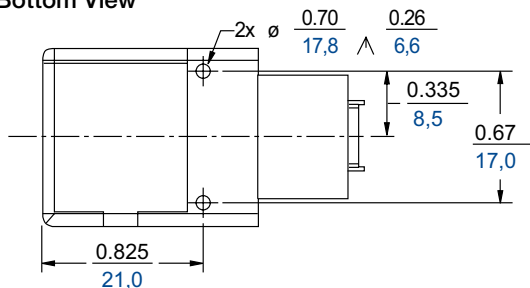
#### Top View



#### Side View



#### Bottom View



### PRODUCT FEATURES

- Can be used as compressor or vacuum pump (same model)
- Can be mounted in any plane
- Diaphragm and valve are easily field serviceable, if required
- Custom mounting configurations available
- Head mounts in any of four positions
- Consult factory for voltage/stroke options

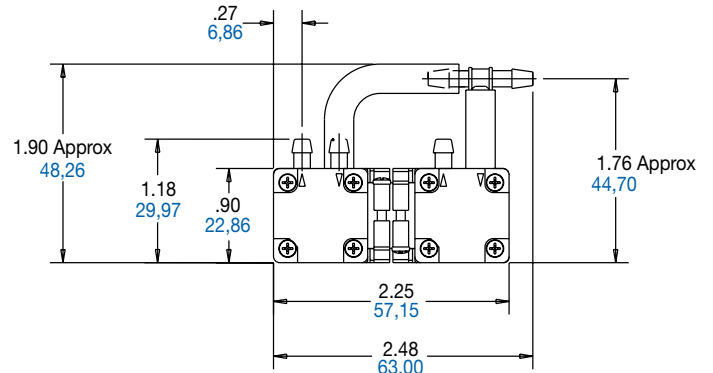
### MATERIALS OF CONSTRUCTION

- Chemically resistant PPS (Polyphenylene Sulfide) head assembly
- EPDM (Ethylene Propylene Diene Monomer) valve and diaphragm

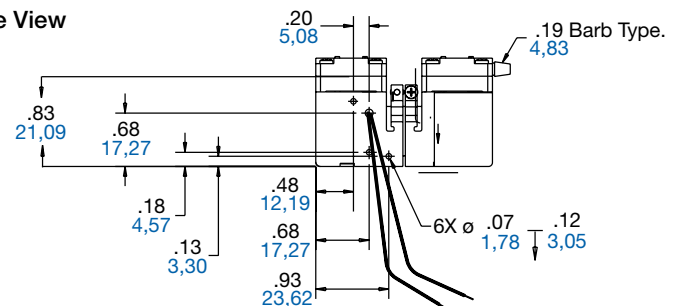
Staged/parallel vacuum configuration chart on page 11

### Twin Head 5D6070-101-1076

#### Top View



#### Side View



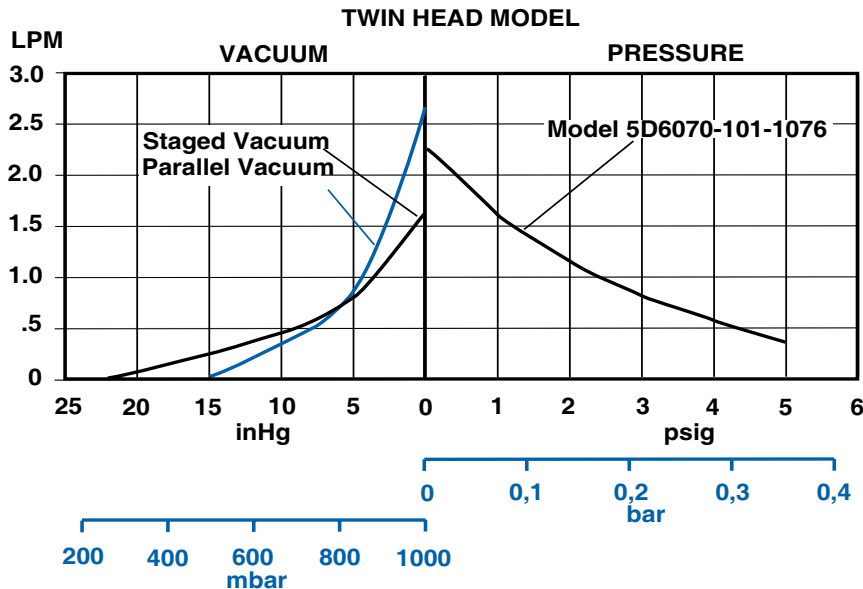
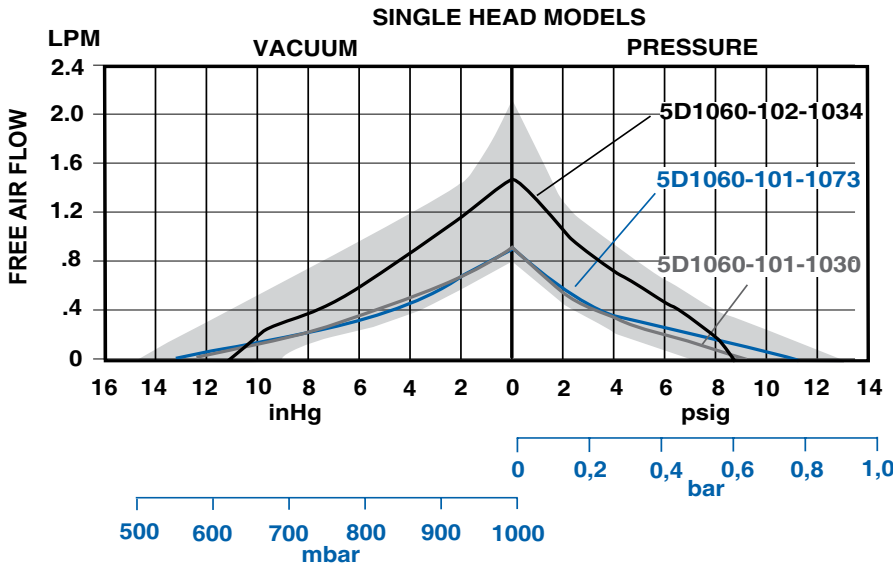
### Product Specifications

Model Number	Milliamps at Nominal Voltage	Potential Operating Voltage Range	Net Weight	
			oz	g
5D1060-101-1030*	15-60	12V DC	1.5	42,5
5D1060-102-1034**	90-200	6V DC	1.5	42,5
5D1060-101-1073*	20-50	12V DC	1.5	42,5
5D6070-101-1076*†	60-160	6V DC	2.0	56,7

\* Ironless core motor \*\* Iron core motor † Twin head model

### Product Performance

**Note:** The 5D performance is based on test results of nominal units. Solid lines show standard performance of models in the chart. Shaded area represents capabilities when models are customized for specific requirements. Please consult factory for customized models.





DC Model



AC Model

### AC Motor

15 psi max. pressure, 15 inHg max. vacuum  
3.8 LPM open flow

### DC Motor

15 psi max. pressure, 14 inHg max. vacuum  
4.3 LPM open flow

### PRODUCT FEATURES

- Use as compressor or vacuum pump (same model)
- Mount in any plane
- Maintenance-free ball bearings are sized for long life
- Diaphragm and valve are easily field serviceable, if required
- Alternate stroke options available
- Custom mounting configurations available
- Heads mount in any of four positions
- Heads available with threaded or barbed ports
- Motor equipped with Electromagnetic Interference (EMI) Suppression

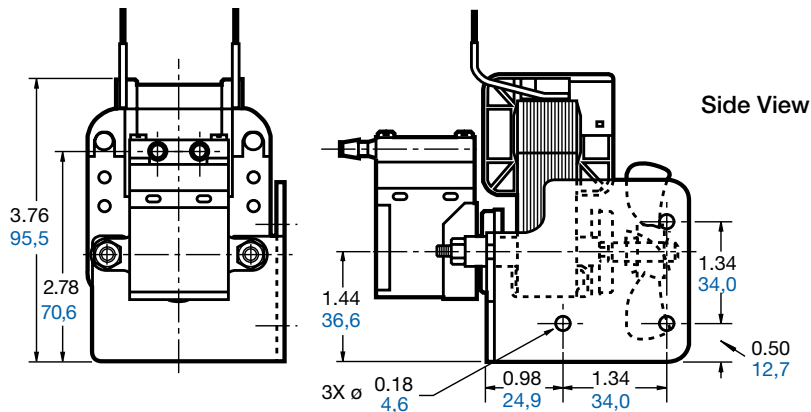
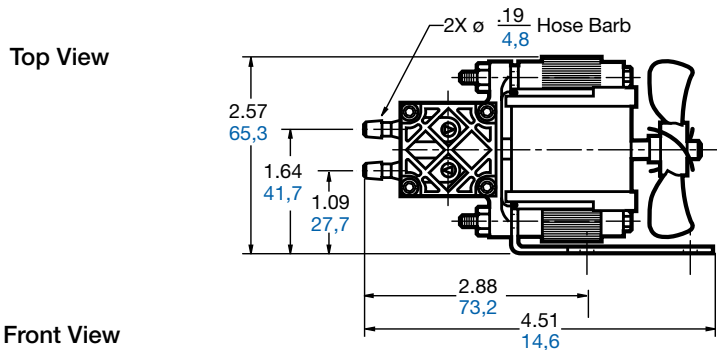
### MATERIALS OF CONSTRUCTION

- Head assembly of chemical/heat resistant PPS (Polyphenylene Sulfide) for corrosion resistance
- EPDM (Ethylene Propylene Diene Monomer) valve and diaphragm

### Product Dimensions (inches, mm)

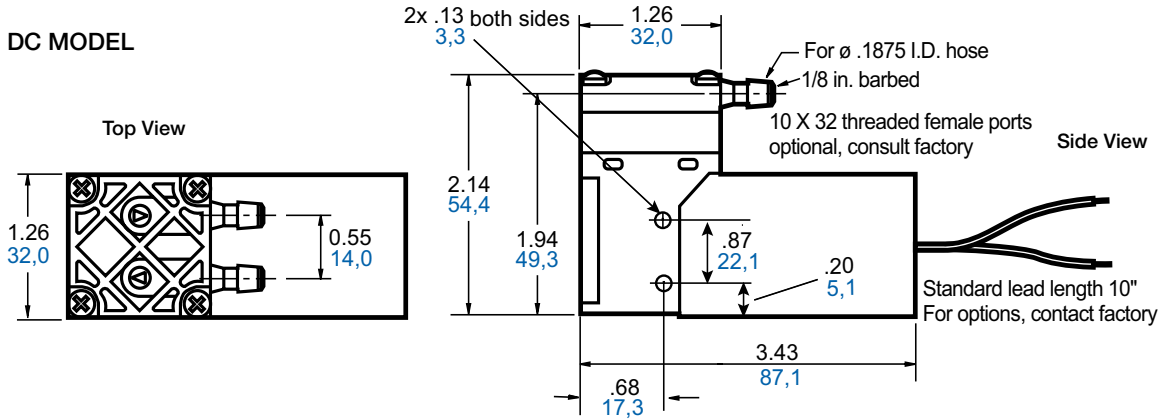
Reference only

#### AC MODELS



### Product Dimensions (inches, mm)

Reference only

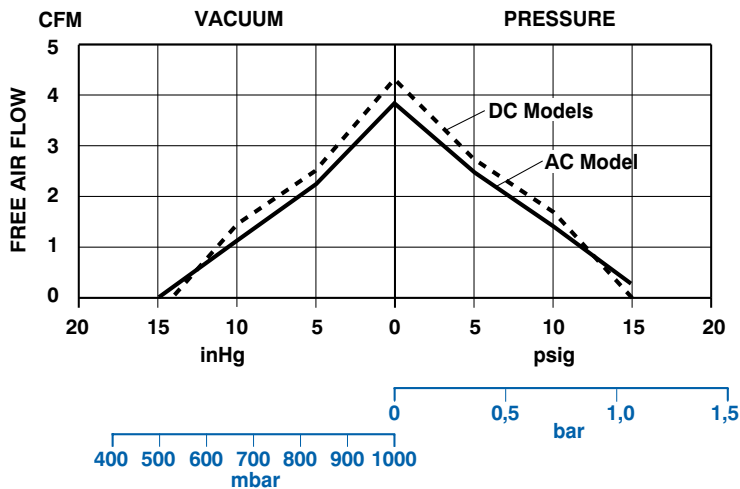


### Product Specifications

Model Number	Motor	Max. Amp. Draw	Net Weight	
			lbs	kg
10D1125-101-1051	6V DC	1	.5	0,23
10D1125-101-1052	12V DC	.5	.5	0,23
10D1125-101-1053	24V DC	.3	.5	0,23
10D1110-101-1043	115-60-1	.6	1.85	0,83

### Product Performance

Note: DC performance data taken at nominal voltage.







AC Models



DC Models

### DC Motor

20 psi max. pressure, 20 inHg max. vacuum  
7.0 LPM open flow

### AC Motor

25 psi max. pressure, 20 inHg max. vacuum  
7.0 LPM open flow

### PRODUCT FEATURES

- Flow-enhanced design meets compressed air/vacuum demand
- Easy install design can be mounted on any plane
- Oversized ball bearings ensure maintenance-free operation
- Robust valve design tolerant of small amounts of intake liquid
- Field serviceable diaphragm/valve designs: K813 (EPDM)
- Ethylene Propylene Diene Monomer, K813A (Neoprene)

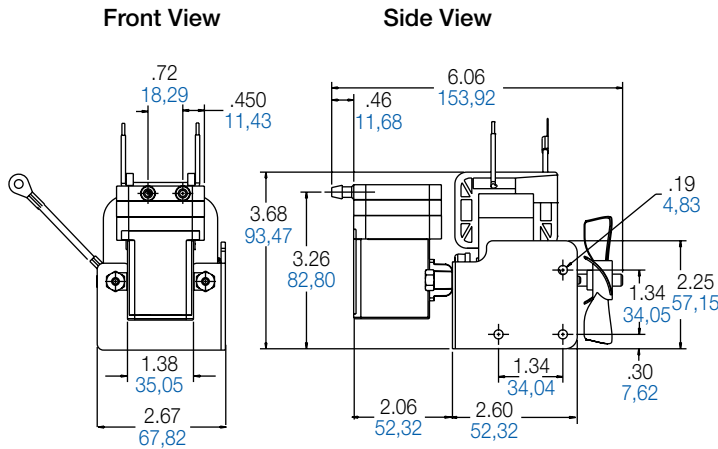
### MATERIALS OF CONSTRUCTION

- Heat/chemical resistant Polyphenylene Sulfide (PPS) head assembly for greater corrosion resistance
- Ethylene Propylene Diene Monomer (EPDM) diaphragm, Ethylene Propylene Diene Monomer (EPDM) valve assembly. Neoprene diaphragm, neoprene valve assembly. 100 Series models are Ethylene Propylene Diene Monomer (EPDM), 200 Series models are Neoprene

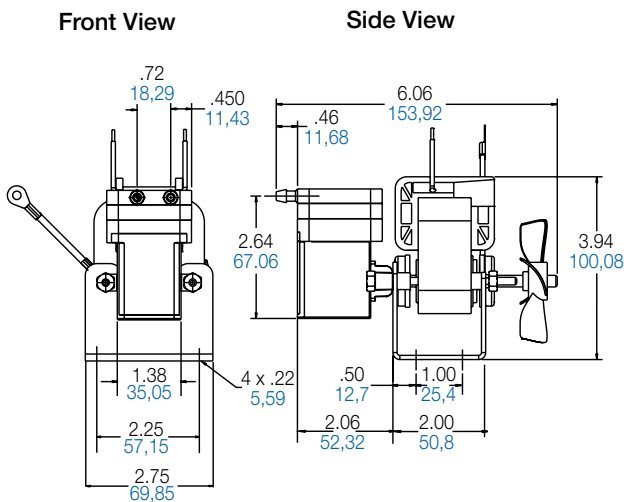
### Product Dimensions (inches, mm)

Reference only

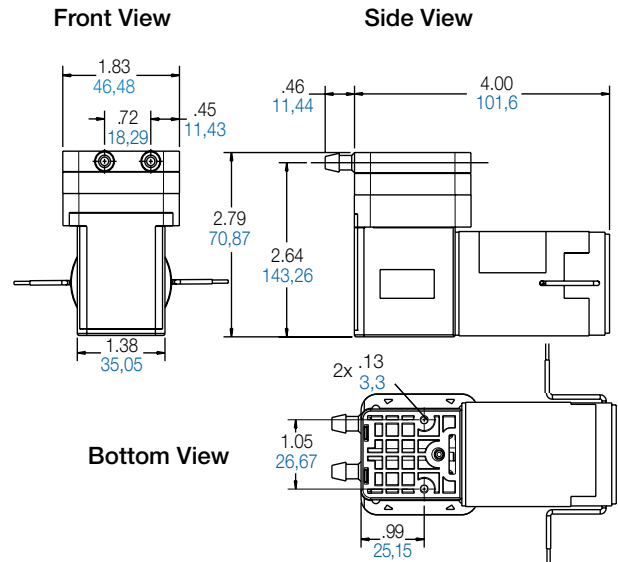
#### AC Units Schematic A (Right Angle Foot Bracket)



#### AC Units Schematic B (U-Shaped Foot Bracket)



#### DC Units



**Note:** Use #2 @Plastite Thread Forming Screw 3/16" I.D. Tube Hose Best Fit  
@Plastite is a registered trademark of REMINC  
(RESEARCH ENGINEERING & MANUFACTURING)

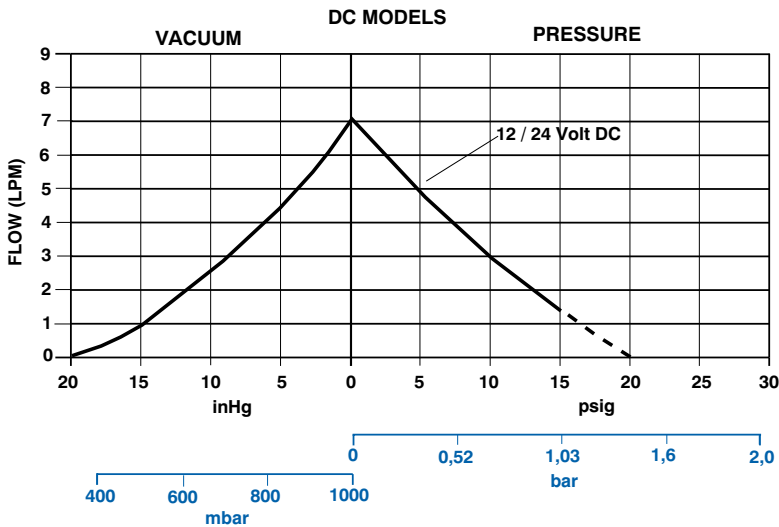
### Product Specifications

Model Number	Motor	Maximum Amp Draw		Net Weight		Diaphragm Material
		60 Hz	50 Hz	lbs/oz	g/kg	
15D1150-101-1006	12 V DC	1.2		14 oz	397 g	EPDM
15D1150-201-1006	12 V DC	1.2		14 oz	397 g	Neoprene
15D1150-101-1014	24 V DC	.6		14 oz	397 g	EPDM
15D1150-201-1014	24 V DC	.6		14 oz	397 g	Neoprene
15D1150-101-1012**	100-115-60/50-1	.9	.5	2.5 lbs	1,14 kg	EPDM
15D1150-102-1012*	100-115-60/50-1	.9	.5	2.5 lbs	1,14 kg	EPDM
15D1150-201-1012**	100-115-60/50-1	.9	.5	2.5 lbs	1,14 kg	Neoprene
15D1150-101-1021**	230-60/50-1	.9	.5	2.5 lbs	1,14 kg	EPDM
15D1150-202-1021*	230-60/50-1	.9	.5	2.5 lbs	1,14 kg	Neoprene

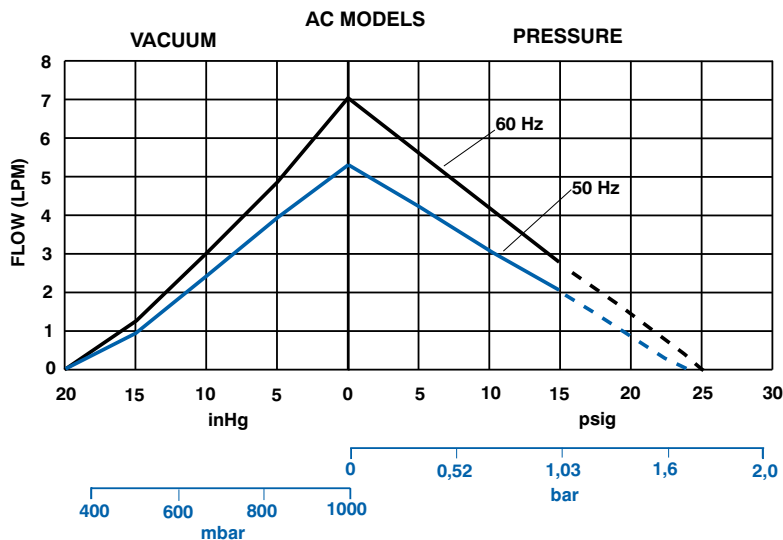
\* Standard right angle foot bracket see schematic A  
 \*\* Optional U-Shaped foot bracket see schematic B

Note: The above units are not EU RoHS

### Product Performance



Dashed Line Indicates Intermittent Duty



Dashed Line Indicates Intermittent Duty



### DC Motor

25 psi max. pressure\*, 13.0 LPM open flow  
26 inHg max. vacuum, 6.0 LPM open flow

### PRODUCT FEATURES

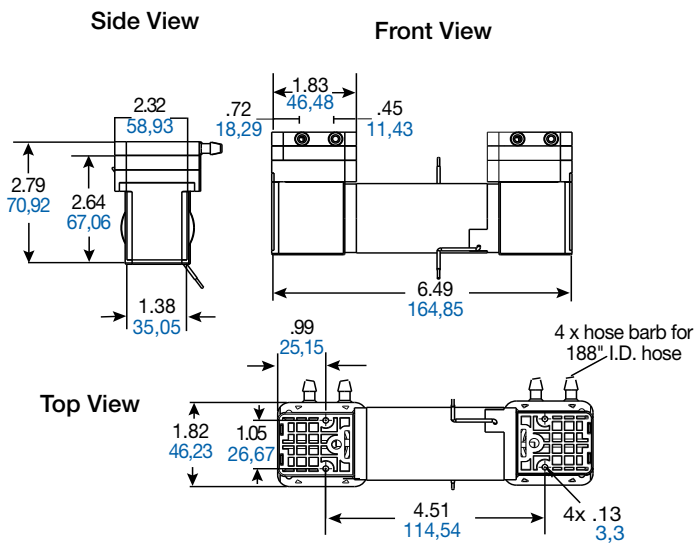
- Flow-enhanced design meets compressed air/vacuum demand
- Ultra quiet noise level down to 45dB(A)
- Easy install design can be mounted on any plane
- Oversized ball bearings ensure maintenance-free operation
- Robust valve design tolerant of small amounts of intake liquid
- Field serviceable diaphragm/valve designs: K813 EPDM (Ethylene Propylene Diene Monomer) & K813A (Neoprene)

### MATERIALS OF CONSTRUCTION

- Heat/chemical resistant Polyphenylene Sulfide (PPS) head assembly for greater corrosion resistance
- EPDM (Ethylene Propylene Diene Monomer) diaphragm, EPDM (Ethylene Propylene Diene Monomer) valve assembly (standard)
- Neoprene diaphragm, neoprene valve assembly (optional)
- 100 Series models are EPDM (Ethylene Propylene Diene Monomer), 200 Series models are Neoprene

### Product Dimensions (inches, mm)

Reference only



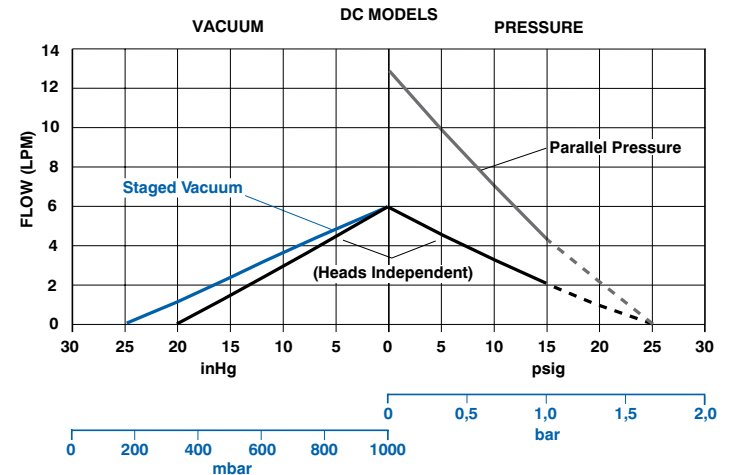
Note: Use #6 @Plastite Thread Forming Screw  
®Plastite is a registered trademark of REMINC  
(RESEACH ENGINEERING & MANUFACTURING INC.)

### Product Specifications

Model Number	Motor	Maximum Amp Draw	Net Weight		Diaphragm Material
			oz	kg	
15D5150-101-1039*	12 V DC	1.2	42.5	0,64	EPDM
15D5150-201-1039*	12 V DC	1.2	42.5	0,64	Neoprene
15D7150-101-1039+	12 V DC	1.5	42.5	0,64	EPDM

\* Staged vacuum models - shipped with tubing connected to ports  
+ Independent models - provided with one head as vacuum and one head as pressure

### Product Performance



Dashed Line Indicates Intermittent Duty  
Parallel pressure, staged vacuum



### DC Motor

25 psi max. pressure, 22.5 inHg max. vacuum  
26.8 LPM open flow

### PRODUCT FEATURES

- Permanently lubricated ball bearings on rod and motor drive bearing
- Rear sleeve bearing (1002, 1005 models have ball bearing for higher pressure)
- Field service capability
- Includes AJ988 filter assembly, unattached

### MATERIALS OF CONSTRUCTION

- Head assembly and bracket made of Polyphenylene Sulfide (PPS) for excellent chemical and heat resistance
- Stainless steel valves
- Neoprene/nylon diaphragm standard
- Other diaphragm materials available

### RECOMMENDED ACCESSORIES

- AA640 Vacuum gauge
- AA204 Vacuum relief valve
- AA644B Pressure gauge
- AA203 Pressure relief valve
- AF584A Rubber feet (3)
- B300Q Muffler/filter (high capacity; to be used in dirty environments or when superior noise reduction is required)

### Product Dimensions (inches, mm)

Reference only

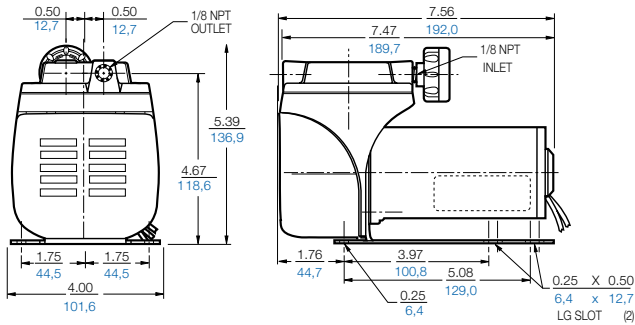
22D1180-201-1002

22D1180-201-1005

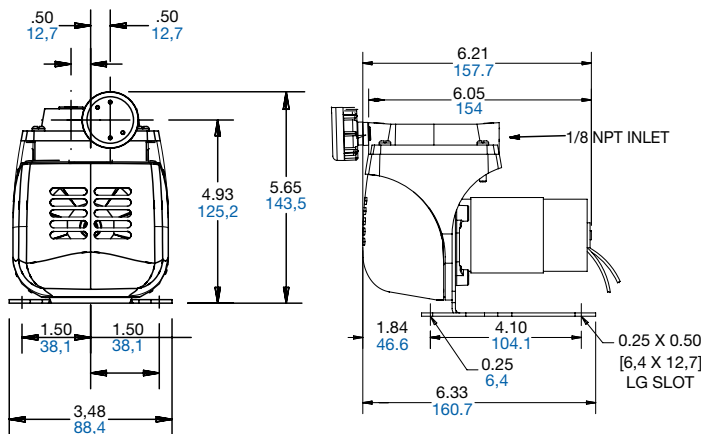
\*22D1180-205-1002

\*22D1180-202-1005

\*Ports in opposite positions to the below diagrams



22D1180-201-1088



Shown with attached filter/muffler

12V & 24V units have the shorter 3.97" mtg foot dimension.

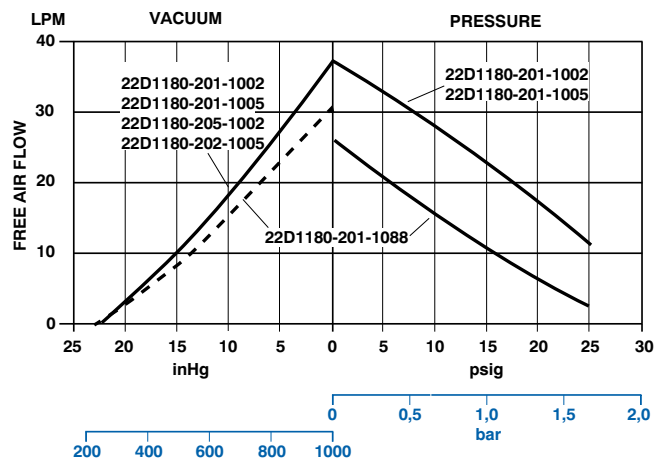
24V units also have the longer 5.08" mtg foot dimension.

### Product Specifications

Model Number	Motor	RPM	Running Amps	HP	kW	Net Weight lbs	Net Weight kg
22D1180-201-1088	12V DC	3000	3.6	1/20	0,04	2.7	1,22
22D1180-201-1002	12V DC	3200	6.2	1/8	0,09	4.9	2,21
22D1180-201-1005	24V DC	3200	3.5	1/8	0,09	4.9	2,21
*22D1180-205-1002	12V DC	3200	6.2	1/8	0,09	4.9	2,21
*22D1180-202-1005	24V DC	3200	3.5	1/8	0,09	4.9	2,21

\* Ports in opposite positions to the diagrams on the previous page.

### Product Performance





### Shaded Pole Motor

20 psi continuous pressure (25 psi inter.)  
22 inHg max. vacuum, 18.7 LPM open flow (60 Hz)

### PSC Motor

25 psi max. pressure, 23 inHg max. vacuum  
26.3 LPM open flow (60 Hz)

### PRODUCT FEATURES

- Permanently lubricated ball bearings on rod and motor drive bearing
- Rear sleeve bearing (DC 1002, 1005 models have ball bearing for higher pressure)
- Field service capability
- PSC models include attached capacitor
- Includes AJ988 filter assembly, unattached

### MATERIALS OF CONSTRUCTION

- Head assembly and bracket made of Polyphenylene Sulfide (PPS) for excellent chemical and heat resistance
- Stainless steel valves
- Neoprene/nylon diaphragm standard
- Other diaphragm materials available

### RECOMMENDED ACCESSORIES

- AA640 Vacuum gauge
- AA204 Vacuum relief valve
- AA644B Pressure gauge
- AA203 Pressure relief valve
- AF584A Rubber feet (3)
- B300Q Muffler/filter (high capacity; to be used in dirty environments or when superior noise reduction is required)
- K588 Service kit Assembled head

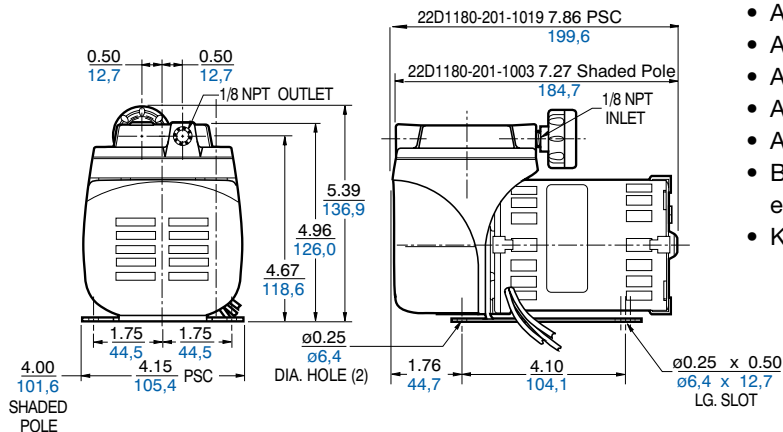
### Product Dimensions (inches, mm)

Reference only

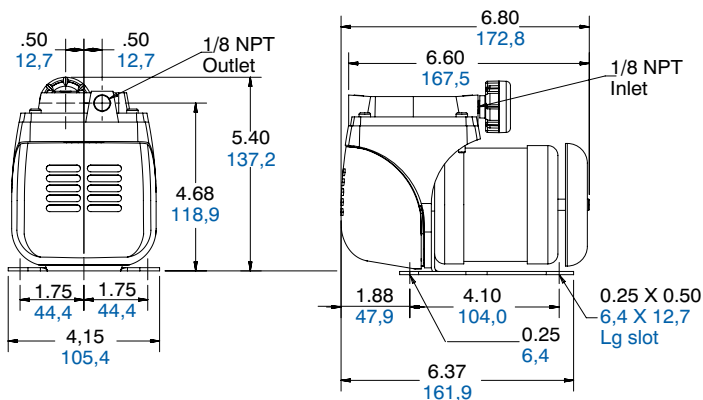
22D1180-201-1003

22D1180-201-1019

Shown with attached filter/muffler



22D1180-201-1087 Shown with attached filter/muffler





### Product Specifications

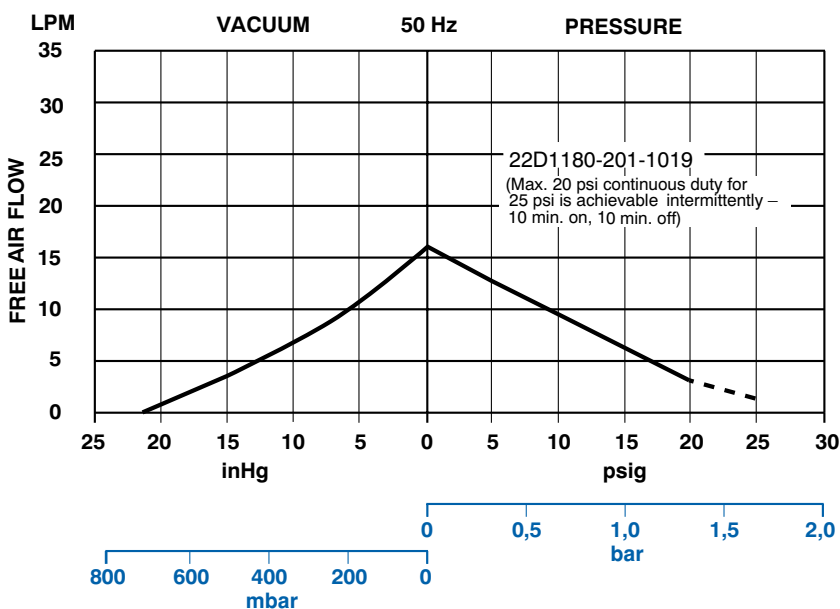
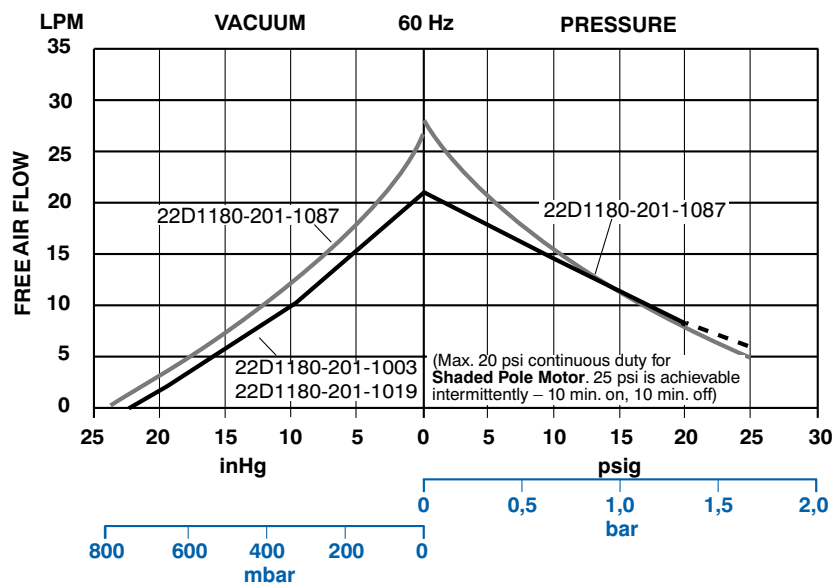
Model Number	Motor	RPM	Running Amps	HP	kW	Net Weight	
						lbs	kg
22D1180-201-1003	*115-60-1	1725	1.6	1/20	0,04	4.8	2,16
† 22D1180-201-1019	PSC 230-50/60-1	1725	0.8	1/20	0,04	5.5	2,48
22D1180-201-1087	PSC 115-60-1	1725	0.5	1/20	0,04	5.1	2,31

\* Shaded Pole

† @60 Hz – 50 Hz is 1425 RPM

### Product Performance

Metric, AC model shows 60 Hz performance.





### PSC 4 Pole AC

50 psi max. pressure, 24 inHg max. vacuum,  
.52 CFM open flow (60 Hz)

### PSC 2 Pole AC

50 psi max. pressure, 24 inHg max. vacuum,  
.80 CFM open flow (60 Hz)

### DC Low Speed DC

50 psi max. pressure, 24 inHg max. vacuum,  
.56 CFM open flow

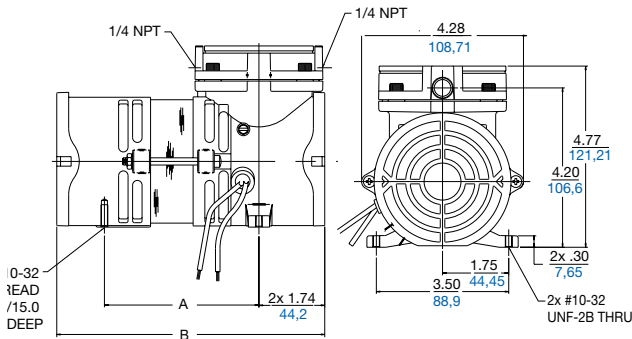
### High Speed DC

50 psi max. pressure, 24 inHg max. vacuum,  
.81 CFM open flow

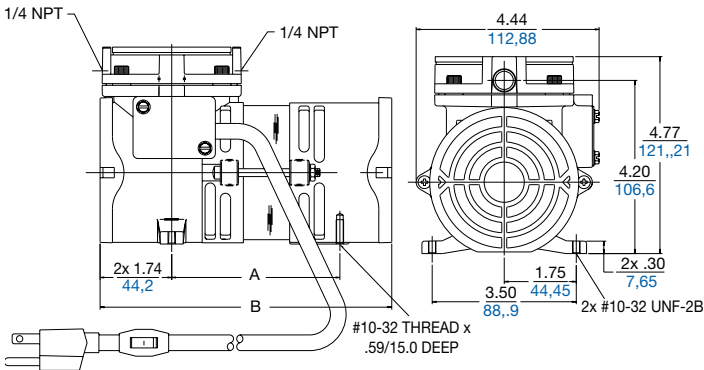
### Product Dimensions (inches, mm)

Reference only

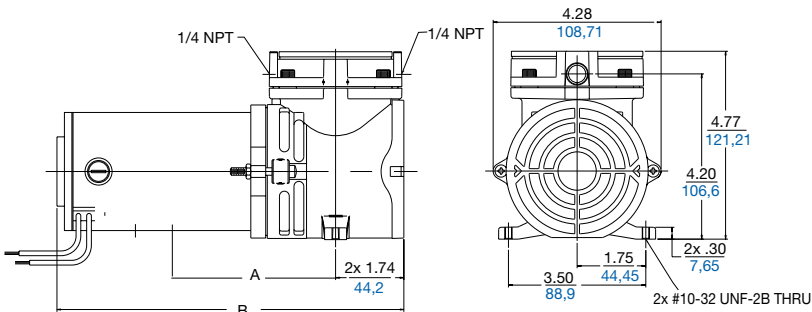
#### AC Models



#### AC Models (+ with electrical box)



#### DC Models



### PRODUCT FEATURES

- Oilless operation
- Motor-mounted
- Rugged construction
- Low maintenance

### INCLUDES

- Capacitors for PSC motors: AG331 (FB, HB, and HD motors), AF873A (FD motor)

### RECOMMENDED ACCESSORIES

- Pressure gauge AF583 / Vacuum gauge AA640
- Pressure relief valve AF887 / Vacuum relief valve AA550C-V
- Rubber feet AG505
- Repair kit K309 for all diaphragm units but MOA-P109-AA, which uses Repair kit K309A

	A Dimension		B Dimensions	
	Inches	Metric	Inches	Metric
MOA-P101-AA	4.09	103,89	7.09	180,09
+MOA-P109-AA	4.09	103,89	7.09	180,09
MOA-V112-AE	4.09	103,76	7.09	180,09
+MOA-V113-AE	4.09	103,89	7.09	180,09
MOA-P101-CA	4.59	116,59	7.59	192,79
+MOA-P109-CA	4.59	116,59	7.59	192,79
MOA-P101-CD	4.59	116,59	7.59	192,79
MOA-V111-CD	4.59	116,59	7.59	192,79
MOA-P108-FB	4.09	103,89	7.09	180,09
MOA-V112-FB	4.09	103,89	7.09	180,09
MOA-P108-FD	4.09	103,89	7.09	180,09
MOA-V112-FD	4.09	103,89	7.09	180,09
MOA-P108-HB	4.59	116,59	7.59	192,79
MOA-P108-HD	4.59	116,59	7.59	192,79
MOA-P101-JH	4.16	105,66	8.84	224,54
MOA-V111-JH	4.16	105,66	8.84	224,54
MOA-P101-JK	4.16	105,66	8.84	224,54
MOA-V111-JK	4.16	105,66	8.84	224,54
MOA-V111-KH	4.16	105,66	8.76	222,50
MOA-P101-KH	4.16	105,66	8.76	222,50

+ with electrical box

### Product Specifications

Model Number	Motor	Motor Type	RPM			HP	kW	Net Weight		Regulatory
			60 Hz	50 Hz				lbs	kg	
MOA-P101-AA	115-60-1	Shaded Pole	1575	-----	1/16	0,05	5.63	2,56	cUR/CE	
MOA-P101-CA	115-60-1	Shaded Pole	1575	-----	1/16	0,05	5.63	2,56	cUR	
MOA-P101-CD	220/230-50/60-1	Shaded Pole	1575	1275	1/16	0,05	5.63	2,56	CSA/CE	
MOA-P101-JH	12 Volt	DC		1800	1/16	0,05	5.63	2,56	CE	
MOA-P101-KH	12 Volt	DC		3000	1/8	0,09	5.63	2,56	CE	
MOA-P101-JK	24 Volt	DC		1800	1/16	0,05	5.63	2,56	CE	
**MOA-P108-FB	110/115-50/60-1	PSC (2 Pole)	3000	2500	1/8	0,09	5.63	2,56	CE	
**MOA-P108-FD	220/230-50/60-1	PSC (2 Pole)	3000	2500	1/8	0,09	5.63	2,56	CSA/CE	
**MOA-P108-HB	110/115-50/60-1	PSC (4 Pole)	1575	1275	1/16	0,05	5.63	2,56	cUR/CE	
**MOA-P108-HD	230/220-60/50-1	PSC	1575	1275	1/16	0,05	5.63	2,56	CSA/CE	
*MOA-P109-AA	115-60-1	Shaded Pole	1575	-----	1/16	0,05	5.63	2,56	UR/CSA	
*MOA-P109-CA	115-60-1	Shaded Pole	1575	-----	1/16	0,05	5.63	2,56	UR	
MOA-V111-JH	12 Volt	DC		1800	1/16	0,05	5.63	2,56		
MOA-V111-KH	12 Volt	DC		3000	1/8	0,09	5.63	2,56	CE	
MOA-V111-JK	24 Volt	DC		1800	1/16	0,05	5.63	2,56	CE	
MOA-V111-CD	220/230-50/60-1	Shaded Pole	1575	1275	1/16	0,05	5.63	2,56	CSA/CE	
MOA-V112-AE	110/115-50/60-1	Shaded Pole	1575	1275	1/16	0,05	5.63	2,56	CSA/CE	
**MOA-V112-FB	110/115-50/60-1	PSC (2 Pole)	3000	2500	1/8	0,09	5.63	2,56	CSA	
**MOA-V112-FD	220/230-50/60-1	PSC (2 Pole)	3000	2500	1/8	0,09	5.63	2,56	CSA/CE	
*MOA-V113-AE	110/115-50/60-1	Shaded Pole	1575	1275	1/16	0,05	5.63	2,56	CSA	

\* Cord, switch and plug assembly

\*\* Capacitor shipped with unit - not attached

CSA – Approved by the Canadian Standards Association

cUR – UL recognized for use in Canada and US

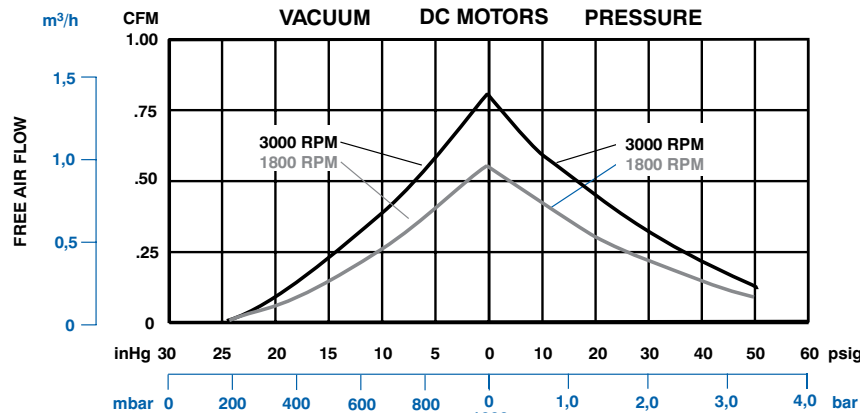
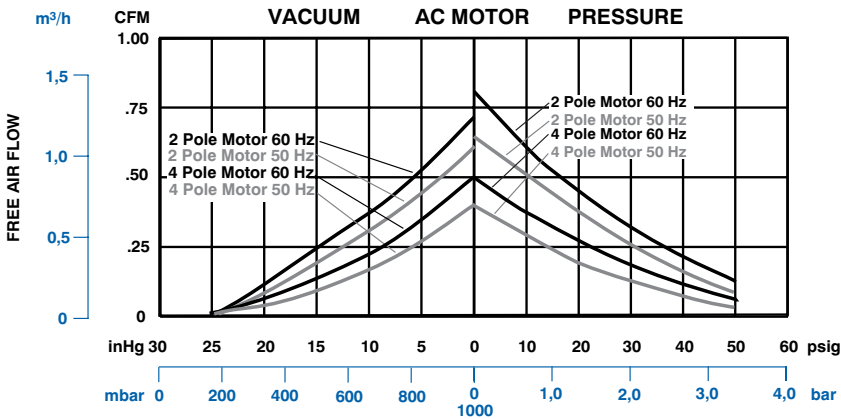
CNL – UL listed for use in Canada and US

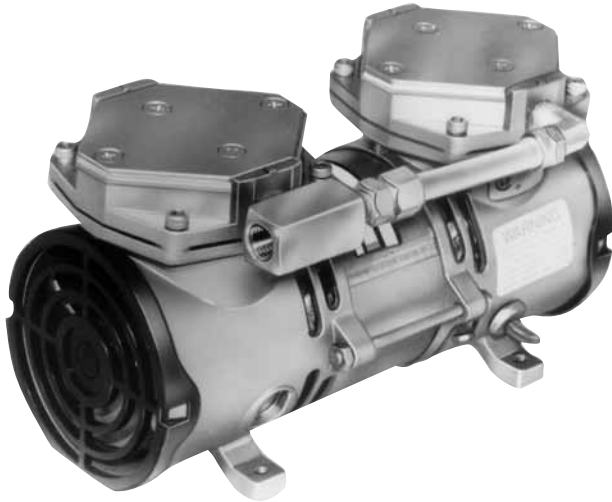
CE – Conforms to European Standards

UL – UL Listed for US

UR – UL recognized for US

### Product Performance





#### PSC 4 Pole, Single Stage

50 psi max. pressure, 1.03 CFM open flow (60 Hz)

#### PSC 2 Pole, Single Stage

50 psi max. pressure, 1.58 CFM open flow (60 Hz)

#### PSC 4 Pole, Single Stage

24 inHg max. vacuum, 1.0 CFM open flow (60 Hz)

#### PSC 2 Pole, Single Stage

24 inHg max. vacuum, 1.4 CFM open flow (60 Hz)

#### PSC 4 Pole Two Stage

28 inHg max. vacuum, .47 CFM open flow (60 Hz)

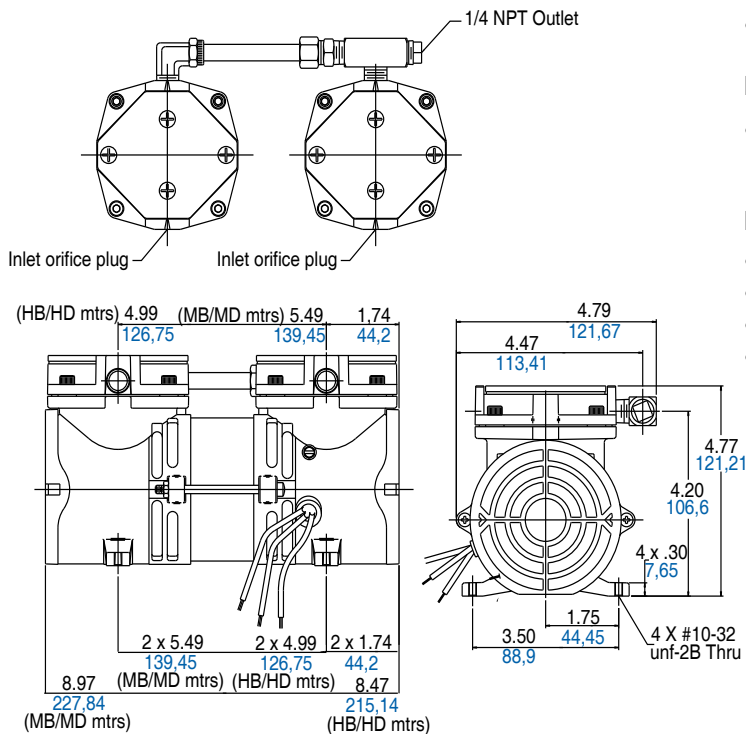
#### PSC 2 Pole, Two Stage

28.5 inHg max. vacuum, .80 CFM open flow (60 Hz)

#### Product Dimensions (inches, mm)

Reference only

#### Single Staged Shown



#### PRODUCT FEATURES

- Oilless operation
- Motor-mounted
- Rugged construction
- Low maintenance

#### INCLUDES

- Capacitors shipped unattached AG331 (4-pole motors), AF485A (2-pole motor)

#### RECOMMENDED ACCESSORIES

- Pressure gauge AF583, vacuum gauge AA640
- Pressure relief valve AF887, Vacuum relief valve AA550C-V
- Rubber feet (4) AG505
- Repair kit K309 (Use 2)

### Product Specifications

Model Number	Motor	Type	Stages Vacuum Models	RPM		HP	kW	Net Weight		Regulatory
				60 Cycle	50 Cycle			lbs	kg	
**MAA-P102-HB	115/110-60/50-1	PSC (4 pole)	—	1575	1275	1/16	0,05	8	3,6	cUR/CE
**MAA-P102-HD	220/230-50/60-1	PSC (4 pole)	—	1575	1275	1/16	0,05	8	3,6	cUR/CE
**MAA-P102-MB	115/110-60/50-1	PSC (2 pole)	—	3000	2500	1/8	0,09	9	4,1	CE
**MAA-V103-HB	115/110-60/50-1	PSC (4 pole)	One	1575	1275	1/16	0,05	8	3,6	cUR/CE
**MAA-V109-HB	115/110-60/50-1	PSC (4 pole)	Two	1575	1275	1/16	0,05	8	3,6	cUR
**MAA-V109-HD	220/230-50/60-1	PSC (4 pole)	Two	1575	1275	1/6	0,05	8	3,6	cUR
**MAA-V103-MB	115/110-60/50-1	PSC (2 pole)	One	3000	2500	1/8	0,09	9	4,1	CE
**MAA-V109-MB	115/110-60/50-1	PSC (2 pole)	Two	3000	2500	1/8	0,09	9	4,1	CE
**MAA-V109-MD	208-230/ 220-240-60/50-1	PSC (2 pole)	Two	3000	2500	1/8	0,09	9	4,1	CE

\*\* Capacitor shipped with unit - not attached

CSA – Approved by the Canadian Standards Association

cUR – UL recognized for use in Canada and US

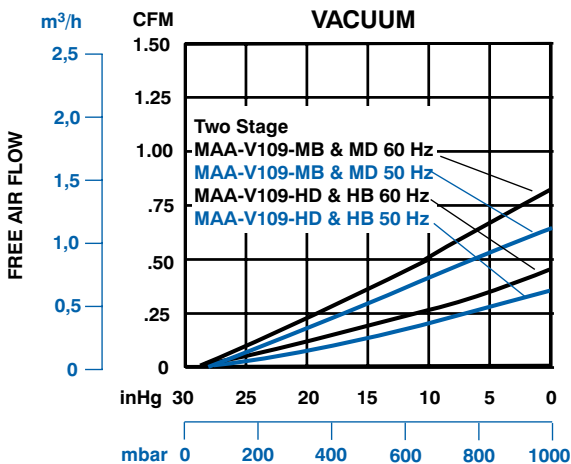
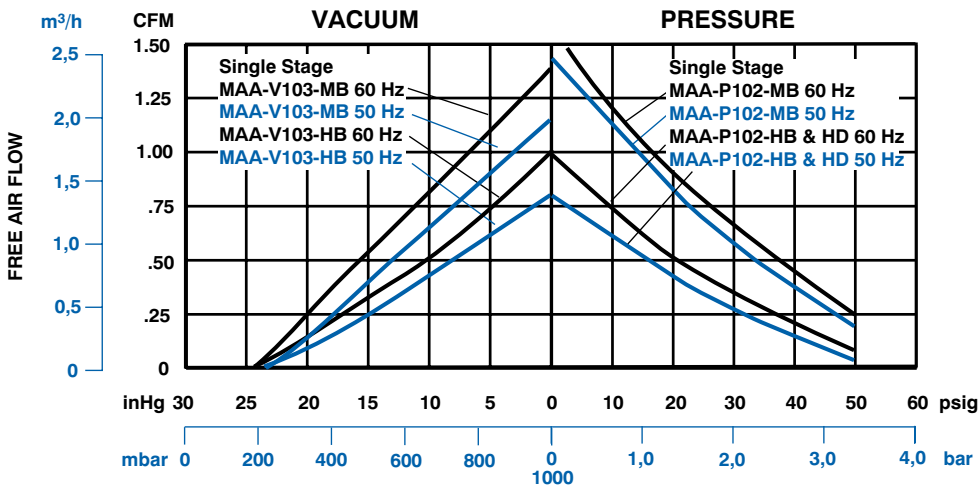
CNL – UL listed for use in Canada and US

CE – Conforms to European Standards

UL – UL Listed for US

UR – UL recognized for US

### Product Performance







### Shaded Pole/ PSC 4 Pole

60 psi max. pressure, 25.5 inHg max. vacuum  
1.1 CFM open flow (60 Hz)

### PSC 2 Pole

60 psi max. pressure, 25.5 inHg max. vacuum  
1.9 CFM open flow (60 Hz)

### Low Speed DC (Brush Type)

60 psi max. pressure, 25.5 inHg max. vacuum  
1.1 CFM open flow

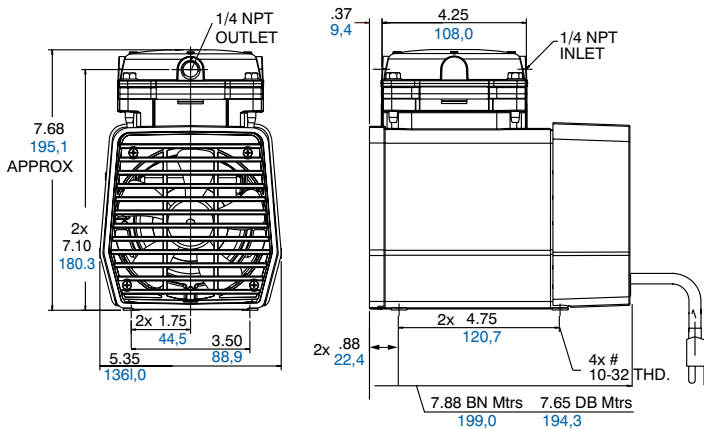
### High Speed DC (Brush Type)

60 psi max. pressure, 25.5 inHg max. vacuum  
1.9 CFM open flow

### Product Dimensions (inches, mm)

Reference only

#### AC Models



### PRODUCT FEATURES

- Oilless operation
- Motor mounted
- Rugged construction/low maintenance

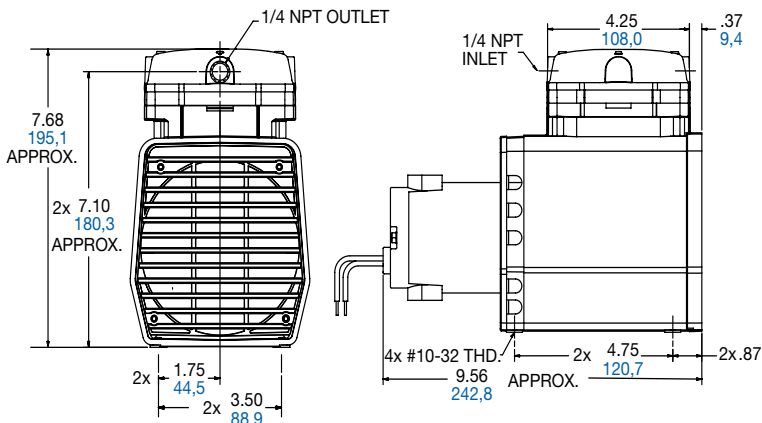
### INCLUDES

- Muffler AH190A for vacuum
- Capacitor AF873A unattached (DB and DD motors)
- Capacitor AF485A unattached (FB motor)
- Capacitor AF876 unattached (FD motor)

### RECOMMENDED ACCESSORIES

- Pressure gauge AF583 / Vacuum gauge AA640
- Pressure relief valve AF887 / Vacuum relief valve AA550C-V
- Rubber feet (4) AF584A
- Repair kit K294A

#### DC Models



### Product Specifications

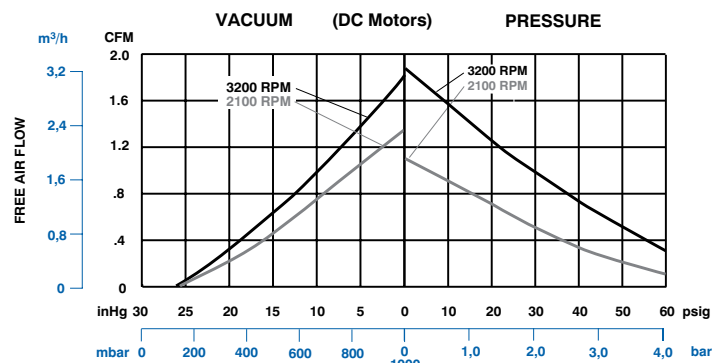
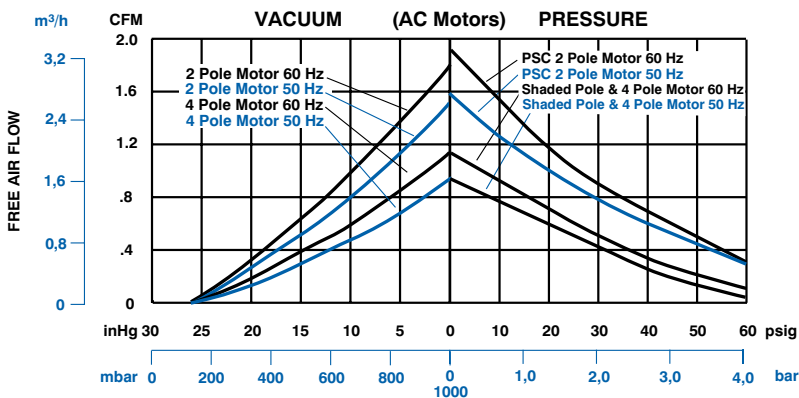
Note: "P" model are pressure; "V" models are vacuum only

Model Number	Motor	Motor Type	RPM		HP	kW	Net Weight		Regulatory
			60 Hz	50 Hz			lbs	kg	
*DOA-P701-AA	115-60-1	Shaded pole	1575	----	1/8	0,09	14.5	6,6	UL/CNL
**DOA-P703-AA	115-60-1	Shaded pole	1575	----	1/8	0,09	16.0	6,6	UL/CNL
*DOA-P701-AC	230-60-1	Shaded pole	1575	----	1/8	0,09	14.5	6,6	CSA
***DOA-P501-BN	220/240-50-1	Shaded pole	----	1275	1/8	0,09	14.5	6,6	CE
+DOA-P509-BN	220/240-50-1	Shaded pole	----	1275	1/8	0,09	16.0	7,3	CE
DOA-P501-DB	115/110-60/50-1	PSC (4 pole)	1575	1275	1/8	0,09	14.5	6,6	CE
DOA-P501-DD	230/220-60/50-1	PSC (4 pole)	1575	1275	1/8	0,09	14.5	6,6	cUR
DOA-P501-FB	115/110-60/50-1	PSC (2 pole)	3000	2500	1/3	0,25	14.5	6,6	cUR
##DOA-P703-FB	115/110-60/50-1	PSC (2 pole)	3000	2500	1/3	0,25	14.5	6,6	UL/CNL
DOA-P501-FD	230/220-60/50-1	PSC (2 pole)	3000	2500	1/3	0,25	14.5	6,6	UL/CNL/CE
#DOA-P518-FD	230/220-60/50-1	PSC (2 pole)	3000	2500	1/3	0,25	14.5	6,6	cUR/CE
DOA-P501-JH	12 Volt	DC		2100	1/8	0,09	13.0	5,9	CE
DOA-P501-KH	12 Volt	DC		3200	1/8	0,09	13.0	5,9	CE
DOA-P501-JK	24 Volt	DC		2100	1/8	0,09	13.0	5,9	CE
*DOA-V722-AA	115-60-1	Shaded pole	1575	----	1/8	0,09	14.5	6,6	UL/CNL
*DOA-V702-AC	230-60-1	Shaded pole	1575	----	1/8	0,09	14.5	6,6	CSA
***DOA-V502-BN	220/240-50-1	Shaded pole	----	1275	1/8	0,09	14.5	6,6	CE
DOA-V502-DB	115/110-60/50-1	PSC (4 pole)	1575	1275	1/8	0,09	14.5	6,6	CSA/CE
DOA-V502-DD	230/220-60/50-1	PSC (4 pole)	1575	1275	1/8	0,09	14.5	6,6	cUR/CE
DOA-V502A-FB	115/110-60/50-1	PSC (2 pole)	3000	2500	1/3	0,25	14.5	6,6	UR/cUR
DOA-V502A-FD	230/220-60/50-1	PSC (2 pole)	3000	2500	1/3	0,25	14.5	6,6	cUR/CE
DOA-V502-JH	12 Volt	DC		2100	1/8	0,09	13.0	5,9	CE
DOA-V502-JK	24 Volt	DC		2100	1/8	0,09	13.0	5,9	CE

- \* Includes cord and plug
- \*\* Unloader model, includes cord and plug (no rubber feet or handle)
- \*\*\* Includes cord no plug
- + VDE Listed model. Includes unloader valve, rubber feet, and carrying handle
- # Capacitor mounted in mini-box (add 1.54 (39,1) to width), two meter cord (European color-coded), no plug
- ## Capacitor mounted in mini-box (add 1.54 (39,1) to width), cord, and plug

- CSA – Approved by the Canadian Standards Association
- cUR – UL recognized for use in Canada and US
- CNL – UL listed for use in Canada and US
- CE – Conforms to European Standards
- UL – UL Listed for US
- UR – UL recognized for US

### Product Performance



**PSC 4 Pole**

60 psi max. pressure, 2.4 CFM open flow (60 Hz)

**PSC 2 Pole**

60 psi max. pressure, 3.8 CFM open flow (60 Hz)

**PSC 4 Pole Two Stage**

25.5 inHg max. vacuum, 2.2 CFM open flow (60 Hz)

**PSC 2 Pole Two Stage**

25.5 inHg max. vacuum, 3.6 CFM open flow (60 Hz)

**PSC 4 Pole Two Stage**

29.0 inHg max. vacuum, 1.15 CFM open flow (60 Hz)

**PSC 2 Pole Two Stage**

29.0 inHg max. vacuum, 2.0 CFM open flow (60 Hz)

**PRODUCT FEATURES**

- Oilless operation
- Motor mounted
- Rugged construction/low maintenance

**INCLUDES**

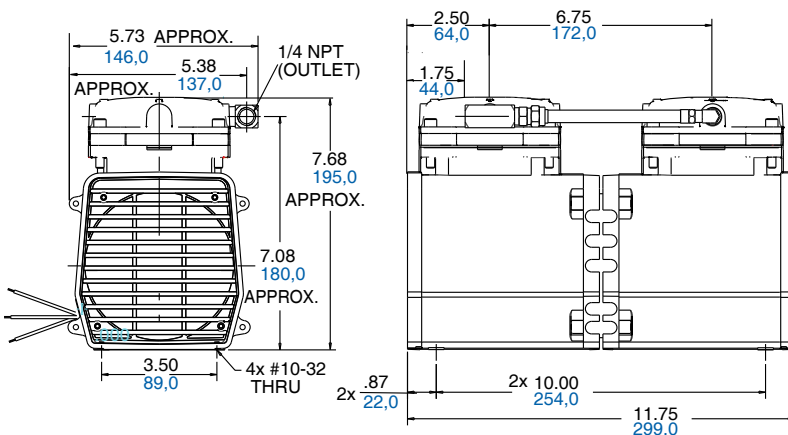
- Muffler AH190A for vacuum
- Capacitor AF876 (EB motors), AF873A (ED motors), AF485A (GB and GD motors)

**RECOMMENDED ACCESSORIES**

- Pressure gauge AF583 / Vacuum gauge AA640
- Pressure relief valve AF887 / Vacuum relief valve AA550C-V
- Rubber feet (4) AF584A
- Repair kit K294A (use 2)

**Product Dimensions (inches, mm)**

Reference only



### Product Specifications

Note: "P" model are pressure; "V" models are vacuum only

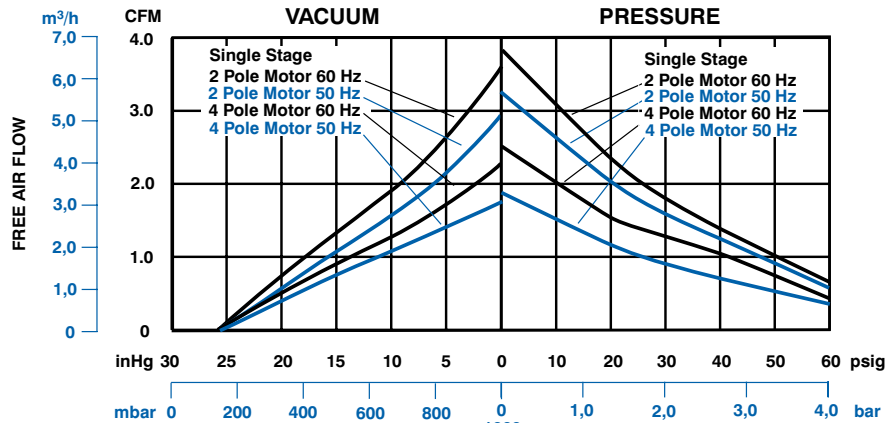
Model Number	Motor	Motor Type Stages for Vacuum Models	RPM		HP	kW	Net Weight		Regulatory
			60 Hz	50 Hz			lbs	kg	
DAA-P501-EB	115/110-60/50-1	PSC (4 pole)	1575	1275	1/4	0,19	28	12,7	cUR/CE
DAA-P501-ED	230/220-60/50-1	PSC (4 pole)	1575	1275	1/4	0,19	28	12,7	cUR/CE
*DAA-P517-ED	230/220-60/50-1	PSC (4 pole)	1575	1275	1/4	0,19	28	12,7	cUR/CE
**DAA-P513-EG	240-50-1	PSC (4 pole)	-----	1275	1/4	0,19	28	12,7	CE
***DAA-P501-GB	115/110-60/50-1	PSC (2 pole)	3000	2500	1/2	0,37	28	12,7	cUR
+DAA-P503-GB	115/110-60/50-1	PSC (2 pole)	3000	2500	1/2	0,37	28	12,7	cUR/CE
***DAA-P501-GD	230/220-60/50-1	PSC (2 pole)	3000	2500	1/2	0,37	28	12,7	cUR/CE
+DAA-P503-GD	230/220-60/50-1	PSC (2 pole)	3000	2500	1/2	0,37	28	12,7	cUR/CE
++DAA-P512-GD	230/220-60/50-1	PSC (2 pole)	3000	2500	1/2	0,37	28	12,7	cUR/CE
DAA-V505-EB	115/110-60/50-1	PSC (4 pole) single stage	1575	1275	1/4	0,19	23	10,4	cUR
DAA-V502-EB	115/110-60/50-1	PSC (4 pole) two stage	1575	1275	1/4	0,19	23	10,4	cUR/CE
DAA-V505-ED	230/220-60/50-1	PSC (4 pole) single stage	1575	1275	1/4	0,19	23	10,4	cUR/CE
DAA-V502-ED	230/220-60/50-1	PSC (4 pole) two stage	1575	1275	1/4	0,19	23	10,4	cUR
**DAA-V510-EG	240-50-1	PSC (4 pole) two stage	-----	1275	1/4	0,19	23	10,4	CE
DAA-V505-GB	115/110-60/50-1	PSC (2 pole) single stage	3000	2500	1/2	0,37	23	10,4	cUR
DAA-V507-GB	115/110-60/50-1	PSC (2 pole) two stage	3000	2500	1/2	0,37	23	10,4	cUR
DAA-V505-GD	230/220-60/50-1	PSC (2 pole) single stage	3000	2500	1/2	0,37	23	10,4	cUR/CE
DAA-V507-GD	230/220-60/50-1	PSC (2 pole) two stage	3000	2500	1/2	0,37	23	10,4	cUR/CE

- \* Available only in Europe capacitor mounted on unit in mini-box. (European color-coded), no plug
- \*\* Capacitor mounted on unit in mini-box, two meter cord (European color-coded), no plug
- \*\*\* No capacitor, parallel manifold for pressure (single stage only)
- + Capacitor unattached, parallel manifold for pressure (single stage only)
- ++ Capacitor attached, parallel manifold for pressure (single stage only)

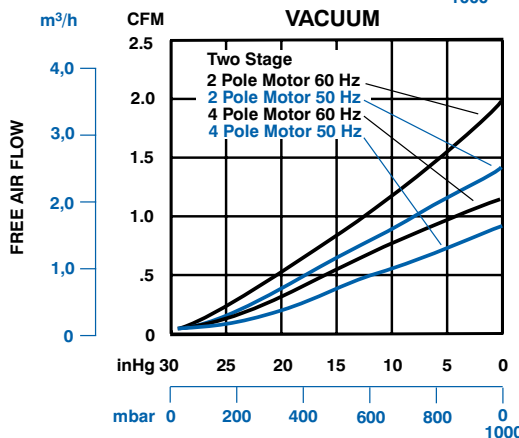
- CSA – Approved by the Canadian Standards Association
- cUR – UL recognized for use in Canada and US
- CNL – UL listed for use in Canada and US
- CE – Conforms to European Standards
- UL – UL Listed for US
- UR – UL recognized for US

### Product Performance

Single Stage



Two Stage





### Shaded Pole

60 psi max. pressure, 25.5 inHg max. vacuum  
1.1 CFM open flow (60 Hz)

#### PRODUCT FEATURES

- Oilless operation
- Motor mounted
- Rugged construction/low maintenance

#### INCLUDES

- Gauges - Vacuum AE136, Pressure AA806
- Hose barb - AG613
- Regulators - Vacuum AA550C-V, Pressure AF887
- Carrying handle - AP523A
- Rubber feet - AF584A

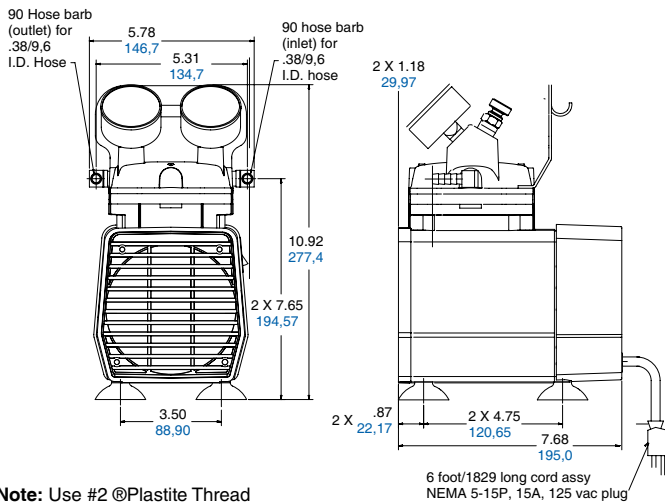
#### RECOMMENDED ACCESSORIES

- Repair kit K294J

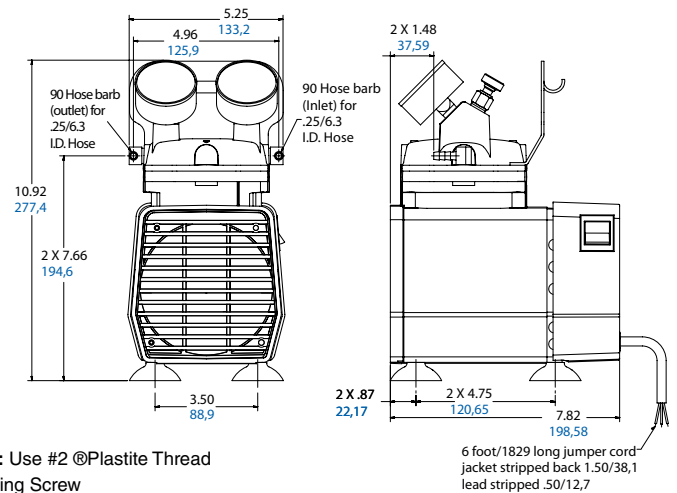
### Product Dimensions (inches, mm)

Reference only

#### DOA-P704-AA



#### DOA-P504-BN





### Product Specifications

Model Number	Motor	Motor Type	RPM		HP	kW	Net Weight		Regulatory
			60 Hz	50 Hz			lbs	kg	
DOA-P704-AA	115-60-1	Shaded pole	1575	----	1/8	0,09	16.0	7,3	UL/CNL
DOA-P504-BN	220/240-50-1	Shaded pole	----	1275	1/8	0,09	16.0	7,3	CE

CSA – Approved by the Canadian Standards Association

cUR – UL recognized for use in Canada and US

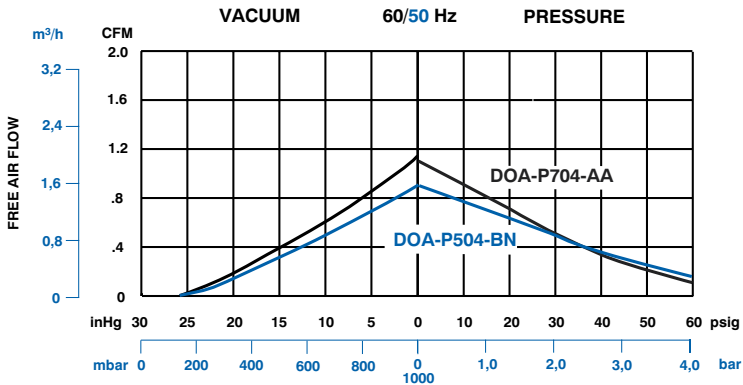
CNL – UL listed for use in Canada and US

CE – Conforms to European Standards

UL – UL Listed for US

UR – UL recognized for US

### Product Performance





### Shaded Pole

25 inHg max. vacuum,  
.95 CFM open flow (50 Hz)

#### PRODUCT FEATURES

- Oilless operation
- Motor-mounted
- Rugged construction
- Low maintenance

#### MATERIALS OF CONSTRUCTION

- ®Teflon coated head assembly
- Stainless steel valves
- ®Neoprene diaphragm
- ®Teflon diaphragm cover

#### INCLUDES

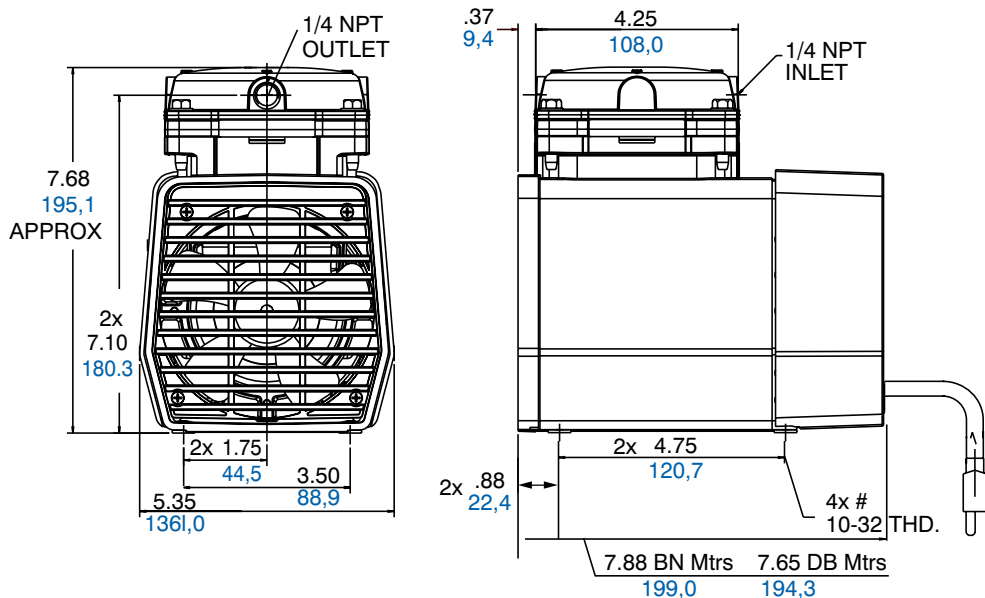
- Capacitor

#### RECOMMENDED ACCESSORIES

- Pressure gauge AF583 / Vacuum gauge AA640
- Pressure regulator AF887 / Vacuum regulator assyAA550C-V
- (4) Rubber feet AF584A
- Repair kit K294A for Shaded Pole
- Repair kit K294H for PSC motor

#### Product Dimensions (inches, mm)

Reference only

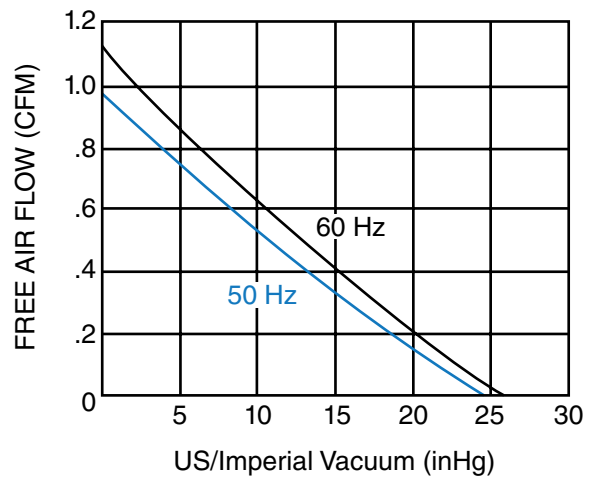
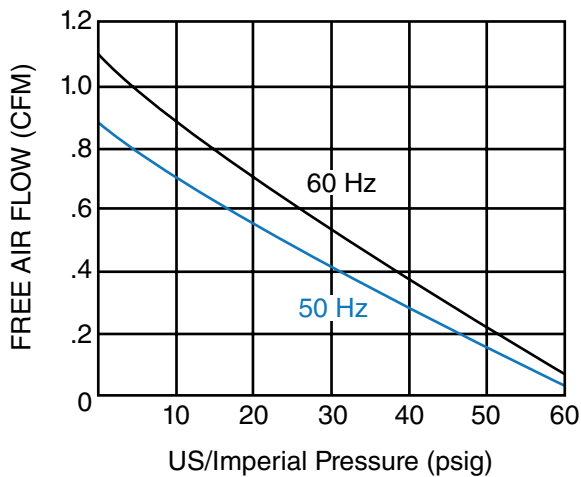
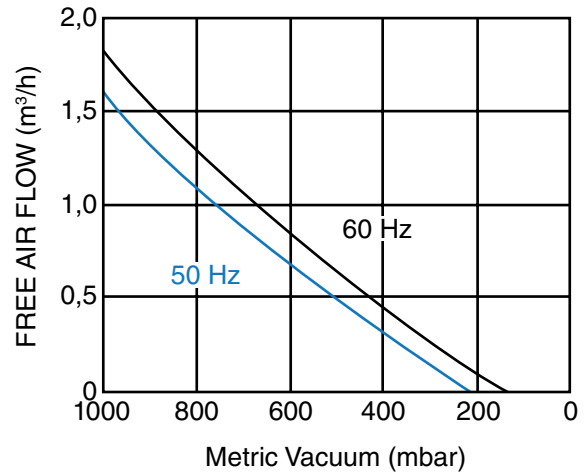
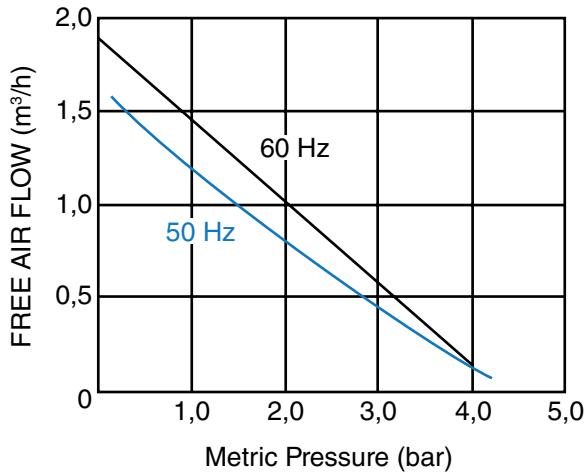


### Product Specifications

Model Number	Motor and Motor Type	RPM		HP	kW	Net Weight		Regulatory
		60 Hz	50 Hz			lbs	kg	
DOA-V505-BN	Shaded pole 220/240-50-1	1275	----	1/8	0,09	19.0	8,6	CE
DOA-P701-DB	PSC 110/115-50/60-1 motor	1575	1275	1/8	0,09	20.0	9,0	CSA

CSA – Approved by the Canadian Standards Association  
 cUR – UL recognized for use in Canada and US  
 CNL – UL listed for use in Canada and US  
 CE – Conforms to European Standards  
 UL – UL Listed for US  
 UR – UL recognized for US

### Product Performance





### Shaded Pole/PSC 4 Pole

60 psi max. pressure, 25.5 inHg max. vacuum  
1.1 CFM Open Flow (60 Hz)

#### PRODUCT FEATURES

- Oilless operation
- Motor mounted
- Rugged construction/low maintenance
- Meets UL standard 544, CUL and CNL of UL1450 & CSA C22.2 No. 68-92

#### INCLUDES

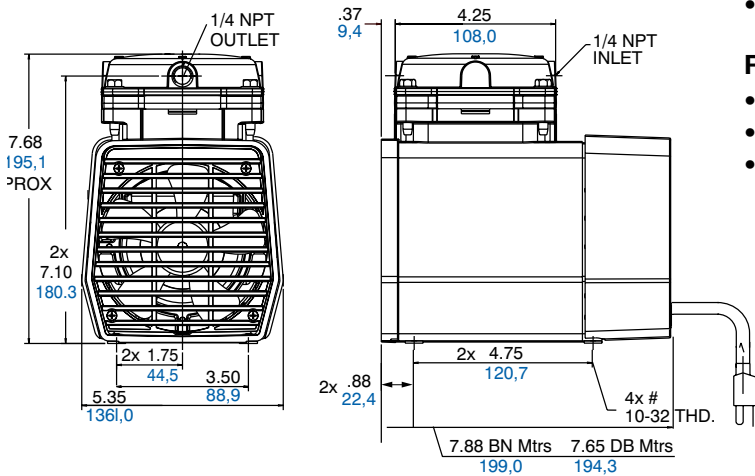
- Cord and hospital grade plug
- Carrying handle - AP523A
- Mounted on/off switch
- Rubber feet - AF584A

#### RECOMMENDED ACCESSORIES

- Pressure gauge AF583 / Vacuum gauge AA640
- Pressure relief valve AF887 / Vacuum relief valve AA550C-V
- Repair kit K294A

#### Product Dimensions (inches, mm)

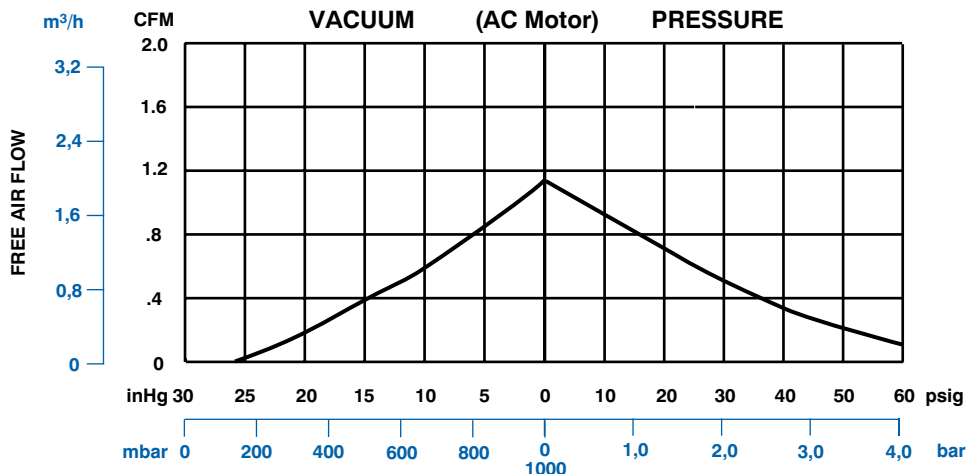
Reference only

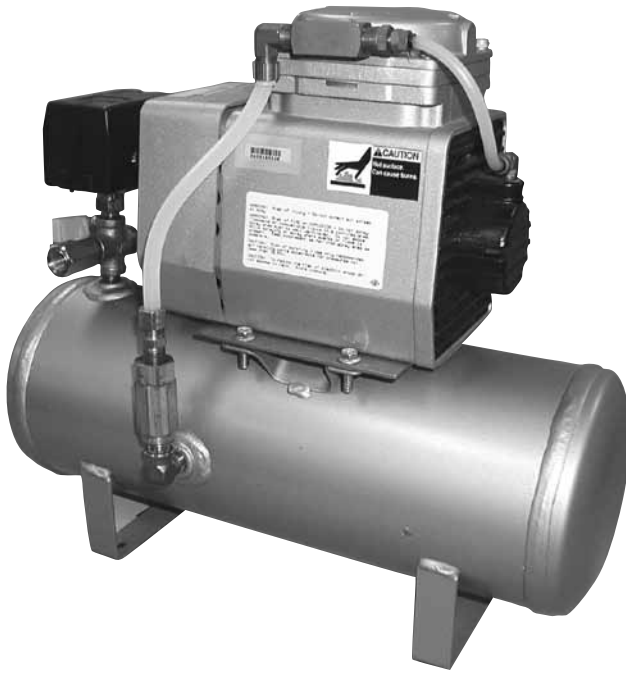


#### Product Specifications

Model Number	Motor	Motor Type	RPM		HP	kW	Net Weight		Regulatory
			60 Cycle	50 Cycle			lbs	kg	
DOL-701-AA	115-60-1	Shaded pole	1575	----	1/8	0,09	14.8	6,7	UL/CNL

#### Product Performance





#### PRODUCT FEATURES

- AE163A pressure switch
- AE248 manual drain
- AS100B pressure safety valve (ASME)
- AA806 pressure gauge
- Globe valve
- Unloading capability
- 100% oilless operation

#### APPLICATIONS

- Beverage dispensing
- Lab use
- Portable displays
- Commercial door actuation
- Portable - off site use

#### RECOMMENDED ACCESSORIES

- Repair kit K294A

#### Product Specifications

Model Number	Tank Size Gallons	CFM @ PSIG						ON/OFF psig	0 to 50 Setting	Recovery of Standard Setting	Motor Voltage	Shipping Weight	
		0	10	30	50	70	100					HP	lbs
DOA-P706T-AA	2	1.00	.85	.50	.20	-	-	30/50	1:30	0:55	115-60-1	1/8	39

## When to specify a compressed air or vacuum tank system

Many find it difficult to decide whether to use stand-alone pumps or complete tank packages for their applications.

The tank system offers many advantages, which satisfy:

#### High Volumes

If your application requires an instantaneous supply of high pressure or vacuum, then the reservoir provided by a tank system is essential. Even the largest of pumps has to start at atmospheric pressure and therefore will not be able to give that instantaneous supply of pressure/vacuum.

#### Cost Savings

Using a tank system can reduce initial maintenance and replacement costs. Here's why: Applications that require high volumes of air in intermittent cycles can use relatively small pumps. The longer the interval between cycles, the more applicable a tank system can be. For example, a 1 HP compressor on a tank can supply the same amount of flow for one minute as a stand alone 10 HP compressor.

#### Quiet Operation

In a tank system the pump runs on demand, which means that it is not operating a good part of the time. No operation, no operating noise.

#### Pulse Free

Pulse-free air is required by many pneumatic systems for proper operation of pneumatic tools or components. A tank provides pulsation free air from the reciprocating compressor.

#### Central System

Small industrial shops where different tools are required at different times find tank systems ideal, since one tank system can supply air to multiple locations.

	<b>Part No</b>	<b>Description</b>	<b>Used On</b>
Capacitor	AF876	EB, FD Motors	DAA
	AF873A	DB, DD, ED, and FD Motors	DOA
	AF485A	FB, GB, and GD Motors	DAA
	AG331	FB, HB, HD, and 4 Pole Motors	MAA
	AF485A	2-Pole motor PSC Motors:	
	AF873A	FD Motor	MOA
Drains	AE248	Manual Drain Cock, 1/4" NPTM	Diaphragm tank units;
Filter/Muffler Assembly	AA617G		DOA, DAA
Gauge	AF583	1/4" NPT, 0-160 PSI	DOA
Handle	AF870	Stamped Aluminum	DOA
	AP523A		DOA, LAB, DOL Medical unit
Hose Barbs	AG613		Diaphragm lab and tank units
Muffler	AF353A		DOA, MOA,DAA
	AH190A		Vacuum DAA Series, MAA
	B300Q	High capacity; to be used in dirty environments or when superior noise reduction is required	22D
Pressure Gauge	AA806		DOA, DAA, Diaphragm pumps
	AA644B		22D
	AF583		DOA, DOL Medical unit, corrosive resistant Diaphragm MAA, MOA
Pressure Relief Valve	AF887		DOL Medica unit, DOA MAA, MOA
	AA203		22D
Pressure Safety Valve	AS100B		Diaphragm tank units
Pressure Switch	AE163A		Diaphragm tank unit



	<b>Part No</b>	<b>Description</b>	<b>Used On</b>
Regulators	AA806 AA550C-V, Vacuum		Diaphragm lab models, Diaphragm tank DOL Medical unit, DOA lab, DOA Corrosive resistant
AF887, Pressure		DOL Medical unit, DOA lab,	DOA Corrosive resistant
Rubber Feet	AG505 AF584A		MOA, MAA 22D, DOA, DOL medical, DOA Lab DOA corrosive resistant
Service Kits	K294A  K294J K294K K309  K309A` K588 K588A K788 K811 K813 K813A	Assembled head Old style head	Diaphragm tank units, DOL medical Units, Shaded pole, DOA Corrosive resistant, DOA Lab unit DOA, DAA (use 2) All diaphragm units except MOA-P109-AA, MAA use 2 MOA-P109-A 22D 22D 5D 10D 15D 15D
Tank Assemblies (complete package minus pump)	AF599D	2 gallon tank assembly	DOA/ROA-P106T-AA
Vacuum Gauge	AE136 AA640 AA640		Diaphragm lab models DOL Medical unit, DOA MAA. MOA 22D
Vacuum Relief Valve	AA550C-V AA204		DOL Medical unit, MAA, MOA 22D



**Gast Manufacturing, Inc.**

A Unit of IDEX Corporation  
Post Office Box 97  
2300 M-139 Highway  
Benton Harbor, Michigan 49023-0097  
Phone 269-926-6171  
Fax 269-925-8288  
[www.gastmfg.com](http://www.gastmfg.com)

**Gast Hong Kong**

Room 6, 9/F, New Commerce Centre  
19 On Sum Street, Shatin  
Hong Kong  
Phone 852-2690-1008  
Fax 852-2690-1012

**Gast Group Ltd.**

A Unit of IDEX Corporation  
Unit 11, The I O Centre  
Nash Road  
Redditch, B98 7AS  
United Kingdom  
Phone +44 (0)1527-504040  
Fax +44 (0)1527-525262

